

Data Sheet

Wall/Ceiling Exhaust Fan with Auto Shutter and Humidity Sensor -150mm

CAT NO. EFH150SQSWE



EFH150SQSWE

Cat. No.	EFH150SQSWE
Description	Square Slimline Wall/ Ceiling Exhaust Fan with Auto Shutter and Humidity Sensor, 150mm
Supply Voltage	230 - 240V a.c ~ 50 Hz
Power Rating	24W
Air Extraction	267m ³ /hr (Airflow depends on installation conditions)
Class of protection	Class II
IP Rating	IP24
Projection into wall/ceiling	150mm
Hole cut-out size	160mm
Fascia Size	212 x 212mm
Weight	1.1kg
Application	Wall or Ceiling
Working Range	60 % RH to 90% RH-Adjustable (only by electricians during installation)
Sound Pressure Level at 3m	42dBA (Tested in accordance with AS 1217.5)
Warranty	3 Year

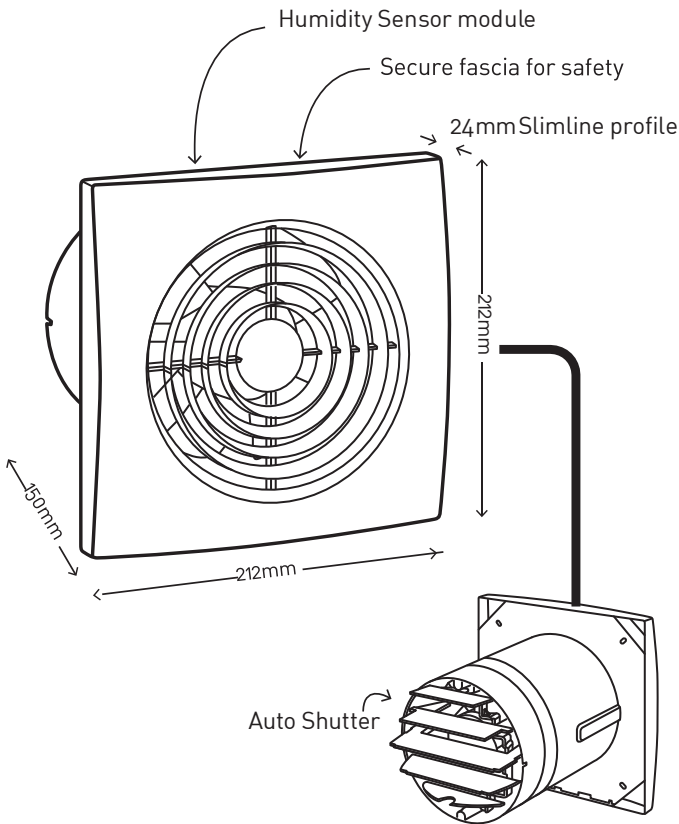
Data Sheet

Wall/Ceiling Exhaust Fan with Auto Shutter and Humidity Sensor - 150mm



A brand of **legrand**

CAT NO. **EFH150SQSWE**



- Ideal for large bathrooms, kitchens and laundries.
- Includes draft stopper that closes automatically minimizing your heating/cooling cost and prevents dust, noise and pests entering your home.
- With an integrated humidity sensor, the fan will automatically turn off when there is no more steam.
- Featuring an Axial flow fan which easily moves large volume of air.
- Fitted with high quality motor for long lifespan, greater resistance to high temperatures and quieter operation.
- Wall mounting accessories included.

Single Unit		
Cat No.	Barcode	Dimension (L X W X H)
EFH150SQSWE	9321001488491	226 X 167 X 226mm

Outer Box (QTY 4)			
Cat No.	Barcode	Dimension (L X W X H)	Weight
EFH150SQSWE	9321001488576	470 X 350 X 245mm	6 kg

Legrand - Australia
 1300 369 777
 www.legrand.com.au
 ABN 31 000 102 661

Legrand - New Zealand
 0800 476 009
 www.legrand.co.nz

Refer to your group buying office, Legrand Sales Representative or Legrand Sales Office for pricing.

Please note: specifications are subject to change without prior notice.