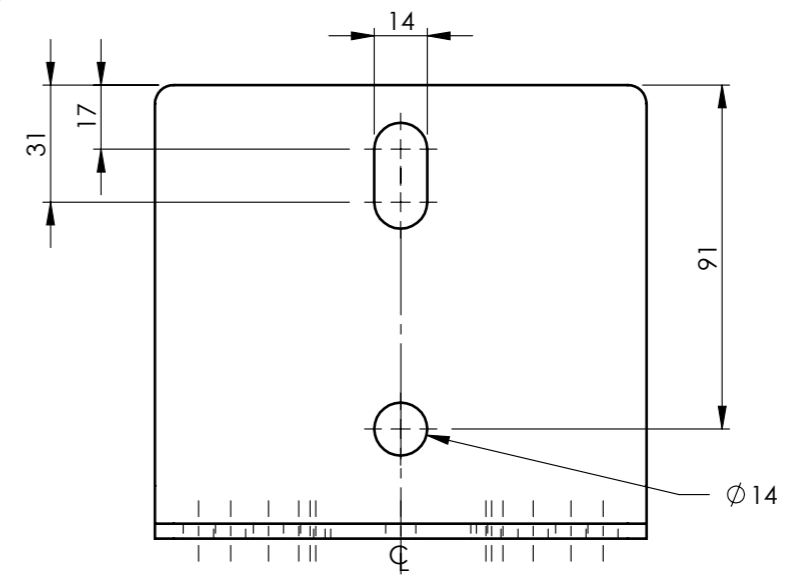
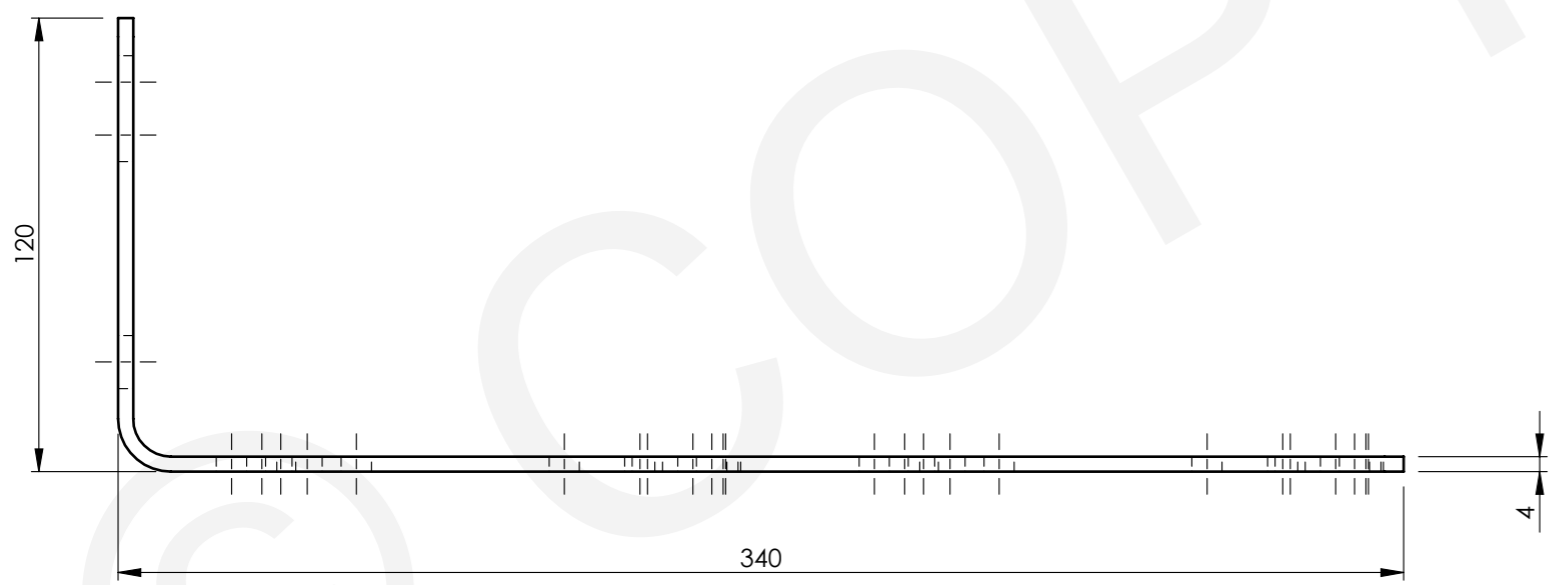


**DOUBLE J BOX
ISOMETRIC VIEW**

**PART No = JBPK1301-HG
MATERIAL = AS 3678-250
WEIGHT = 2.0**



REV.	DESCRIPTION	DATE	APPROVED
1	DETAIL VIEWS CORRECTED, MATERIAL DETAILS ADDED	17-01-11	PP
0	ISSUED FOR MANUFACTURE	16-06-10	PP

REVISION HISTORY

Swivelpole™

This document is the property of and protected by copyright owned by Safe Swivel Technology Pty Ltd (SST). The designs and other information embodied in this document comprise confidential information of SST and form part of products covered by international patents and registered designs including US patent No 6957832. Unauthorised use, reproduction and disclosure are strictly prohibited. This document must not be removed from the premises of the licensed user of this document without SST's prior approval.			
ALL DIMENSIONS ARE IN MILLIMETERS	PROJECT SWIVELPOLE	SERIES / CODE JBP	PART NUMBER JBPK1301-HG
DRAWN BY AFFLATUS DESIGN	DATE 15-06-10	TITLE Swivelpole S11/S12 Junction Box Plate Kit	
CHECKED BY FB	DATE 16-06-10	Detail	
APPROVED BY PP	DATE 16-06-10	Bracket detail	
THIRD ANGLE PROJECTION	SCALE 1:2	DRG No C-AU-JBPK1301-HG	REV 1