

Product data sheet

Characteristics

BMXNRP0201

fiber converter module, Modicon X80, single mode



Main

Range of product	Modicon X80
Product or component type	Fibre optic repeater
Optic fiber type	Single mode

Complementary

Rated voltage	24 V
Current consumption	140 mA typical 200 mA maximum
Function available	Hot swap
Number of port	2 RJ45 with 100BASE-TX port Ethernet conforming to IEEE 802.3u 2 fiber optic with 100BASE-FX port Ethernet conforming to IEEE 802.3u
Local signalling	1 LED (green) for power supply status 1 LED (red) for error condition (ERR) 2 LEDs (green) for link status 2 LEDs (green) for fiber port state and activity
Wavelength	1310 nm
Operating distance	0...15000 m
Attenuation	-15...-8 dB (9/125 μm)
Rise/fall time	2.5 ns
Receiver sensitivity	-31...-8 dBm
Marking	CE
Width	32 mm
Height	100 mm
Depth	86 mm
Net weight	203 g

Environment

Ambient air temperature for operation	0...60 °C
Ambient air temperature for storage	-40...70 °C
Relative humidity	0...95 %
Directives	2014/35/EU - low voltage directive 2014/30/EU - electromagnetic compatibility
Product certifications	CE[RETURN]RCM[RETURN]CSA[RETURN]EAC[RETURN]Merchant Navy[RETURN]JUL
Standards	EN/IEC 61010-2-201 EN/IEC 61131-2 UL 61010-2-201 CSA C22.2 No 61010-2-201

Dielectric strength	1400 V DC between field and bus 500 V DC between channels
IP degree of protection	IP20
Operating altitude	0...4000 m

Packing Units

Unit Type of Package 1	PCE
Number of Units in Package 1	1
Package 1 Height	5.800 cm
Package 1 Width	11.000 cm
Package 1 Length	13.000 cm
Package 1 Weight	250.000 g
Unit Type of Package 2	S02
Number of Units in Package 2	14
Package 2 Height	15.000 cm
Package 2 Width	30.000 cm
Package 2 Length	40.000 cm
Package 2 Weight	3.840 kg

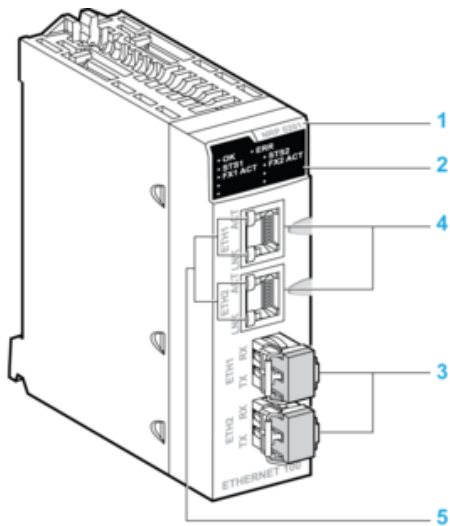
Offer Sustainability

Sustainable offer status	Green Premium product
REACH Regulation	REACH Declaration
EU RoHS Directive	Pro-active compliance (Product out of EU RoHS legal scope)
Mercury free	Yes
China RoHS Regulation	China RoHS Declaration
RoHS exemption information	Yes
Environmental Disclosure	Product Environmental Profile
Circularity Profile	End Of Life Information
WEEE	The product must be disposed on European Union markets following specific waste collection and never end up in rubbish bins

Contractual warranty

Warranty	18 months
----------	-----------

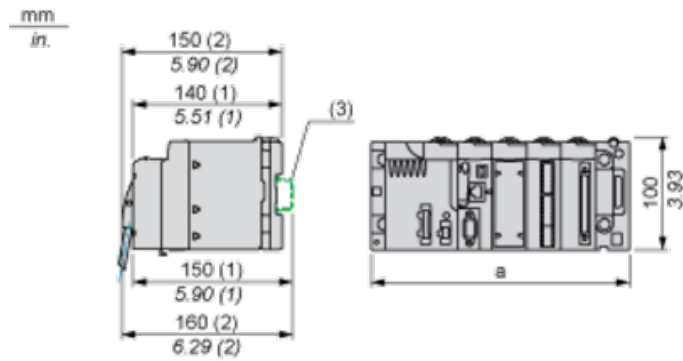
Presentation



- 1 : Model number
- 2 : LED display panel
- 3 : Optical port with SFP transceiver for LC-type connector
- 4 : RJ45 Ethernet port
- 5 : LNK and ACT LED indicators on the RJ45 Ethernet port

Modules Mounted on Racks

Dimensions



(1) With removable terminal block (cage, screw or spring).

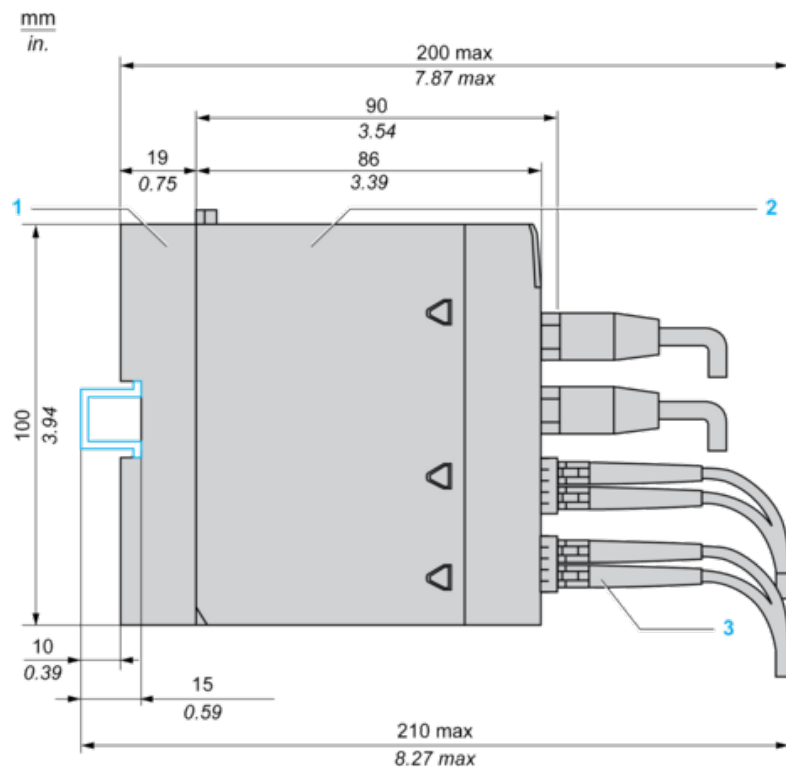
(2) With FCN connector.

(3) On AM1 ED rail: 35 mm wide, 15 mm deep. Only possible with BMXXBP0400/0400H/0600/0600H/0800/0800H rack.

Rack references	a in mm	a in in.
BMXXBP0400 and BMXXBP0400H	242.4	09.54
BMXXBP0600 and BMXXBP0600H	307.6	12.11
BMXXBP0800 and BMXXBP0800H	372.8	14.68
BMXXBP1200 and BMXXBP1200H	503.2	19.81

Mechanical Specifications

Dimensions



1 : Backplane

2 : Module

3 : Cable connections