



## STARGEM II SES7060 - 20W

2 x 10 watt IP54 wall mount LED flood light, with sensor

### Application

A versatile security solution for residential exterior spaces

### Design Specifications

- Independently adjustable heads
- Robust polycarbonate base
- Opal polycarbonate diffuser, beam distribution 100 degree
- High efficiency SMD LED chips, non-dimmable LED driver
- Integral infrared motion sensor with override function
- Installation height: 1.5-3.5 m, Double insulation



### Performance

In Built Sensor - **YES**

Sensor Type - **PIR**

### Technical Specification

Model No.	Input Voltage (V/AC)	Power (W)	Lumens (lm)	CCT (K)	CRI	Beam Angle (°)
SES7060NDL/BK	240	20	1600	5000	80	180

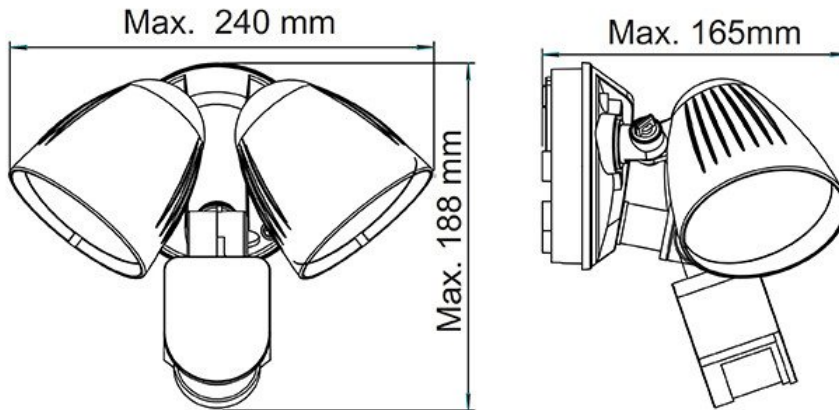
### Technical Specification

Model No.	Body Colour	Dim (mm)
SES7060NDL/BK	BLACK	204(L) x 165(W)

\* Lumens shown are TOTAL luminaire Lumen (lm).

Due to continued product and technology enhancements, data sourced from sal.net.au shall not form part of any contract and or technical performance guarantee unless expressly confirmed in writing by SAL at the time of order. Products are sold in accordance with SAL Terms and Conditions of sale and all images shown are for illustration purposes only and may vary from the actual colour or finish. Unless specifically stated, all IP ratings nominated for Interior products are from "below the ceiling".

## Dimensions



## Sensor Specifications

Power Source	Power	Detection Range	Detection Angle	Detection Motion Speed	Working Temperature	Time Setting	Lux Threshold
240V 50Hz	0.45W (Idle 0.1W)	12m@2.5m height	180°	0.6~1.5 m/s	-10~40°C	10s~4min	10~2000 Lux