

DOWNLIGHTS

STUDIO 12W, 18W AND 24W LED DOWNLIGHT, CCT SELECTABLE 3000K, 4000K, 6500K WITH 800MM FLEX AND PLUG

The STUDIO range of downlights offer a versatile solution for any installation requirement. Utilising the latest SMD LEDs with DriverOnBoard technology, this slim downlight (only 15mm!) is capable of either wall or ceiling mounting; recessed or surface mounted. The unique variable width recessed spring system allows for recessing into cut-outs from 55mm to 250mm making retrofitting easy. CCT selectable and dimmable plus seismic restraint as standard, the STUDIO ticks all the boxes.



Applications:

- Residential and Commercial
- Retail Shops
- Small Offices
- Hotel Reception Areas
- Store Rooms
- Retirement Homes & Care Accommodation
- Residential or Commercial installations
- Bars & Clubs
- Restaurants/ Café's

Construction:

White Polycarbonate Housing
Opal Polystyrene diffuser
Spring steel mounting springs
Pressed steel mounting bracket
Aluminium/ FR4 laminate PCB

Features and Benefits:

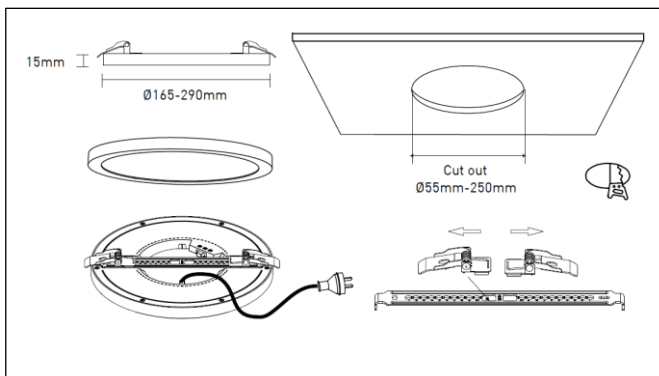
- White polycarbonate body provides strength and durability with a neat aesthetic. An opal polystyrene diffuser helps reduce glare and eye discomfort
- Shallow 15mm body is ideal for surface mounting in narrow areas or places with low ceilings or roof space. Does not intrude into the lit space
- Unique installation system comprising universal mounting bracket with pre-punched fixing screw holes and notched & numbered width idents for spring sliders allows this range of fittings to be recessed or surface mounted into existing cut-outs of between 55mm and 250mm. Existing cut-out holes can be covered easily without need for repairs
- Bracket end has a hole to locate onto slot lug as the body is pushed onto the bracket, providing a push and lock action of the fitting to bracket to ensure it is securely installed
- Pre-wired with 800mm flex and plug, ready for fast and safe electrical installation
- Seismic restraint offers peace of mind that fitting won't come free from ceiling in the event of seismic activity
- Complete range of STUDIO downlights for any installation requirement with a variety of wattages and cut-out diameters – choose from 12W (55mm – 125mm), 18W (55mm – 175mm) or 24W (60mm – 250mm)
- CCT3 Selectable 3000K / 4000K /6500K and dimmable as standard. CCT can be set via switch on the back of the fitting
- CRI of 80 provides clear light quality with accurate reproduction of colours
- High quality DriverOnBoard constant current driver provides accurate drive current and voltage for optimum lighting performance with enhanced LED and driver life
- Solid state technology allows for switching of the fitting by sensors without detriment to life. Fitting has no heat filaments or electrodes which can prematurely fail through vibration
- High quality LM80 tested SMD LEDs are used providing great light output at a fraction of the power consumption of traditional light sources
- LED rated life projected using industry recognised LM80 testing and TM21 extrapolation methods, proving the longevity of this fitting

DOWNLIGHTS

ROBUS®

STUDIO 12W, 18W AND 24W LED DOWNLIGHT, CCT SELECTABLE 3000K, 4000K, 6500K WITH 800MM FLEX AND PLUG

Product Code:	RSD12CCT3-01	RSD18CCT3-01	RSD24CCT3-01
Comparable to:	2x12W PL	2x18W PL	2x24W PL
Total Power (W):	12.5/12.8/12.6	18.1/18.6/18.2	22.8/23.5/22.7
Total Light Output (lm):	970/1,080/990	1,620/1,770/1,590	1,820/2,100/1,870
Efficacy (lm / cctW):	77/84/79	89/95/87	80/90/83
Illuminance at 1m (lux):	330/370/340	560/610/570	630/730/650
Beam Angle (deg):	110	110	110
CCT (K):	3000/4000/6500	3000/4000/6500	3000/4000/6500
CRI (Ra):	80	80	80
Rated Life (hrs):	20,000	20,000	20,000
Warranty (yrs):	2	2	2
Ingress Protection (IP):	20	20	20
Operating Temperature (°C):	-20 ≤ Ta ≤ +40	-20 ≤ Ta ≤ +40	-20 ≤ Ta ≤ +40
Operating Voltage (Vac):	200-240	200-240	200-240
Power Factor (PF):	0.9	0.9	0.9
Diameter (mm):	165	217	290
Cut out (mm):	55-125	55-175	60-250
Height (mm):	15	15	15
Box Qty:	1	1	1
Weight (kg):	0.33	0.47	0.77



Standards & Approvals:

Complies with: SAA, AS/NZS 60598, IEC 55015, CISPR 15, IEC 61000, IEC 62493, IEC 61547, IEC 62471, RCM

Cone Illuminance Diagram:

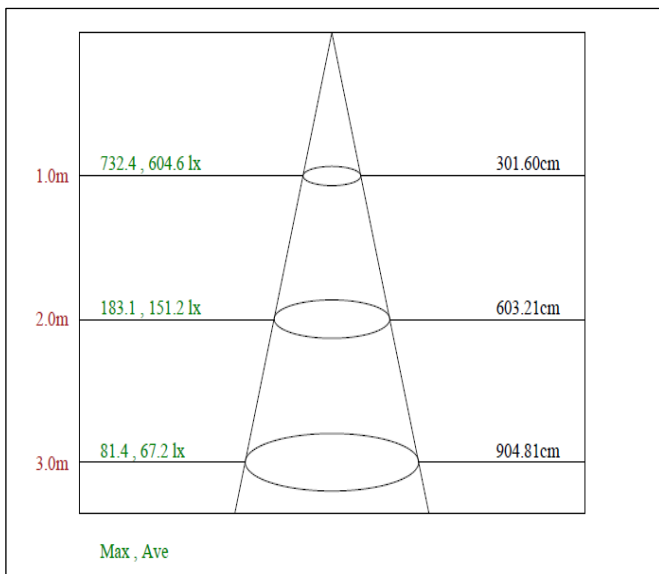
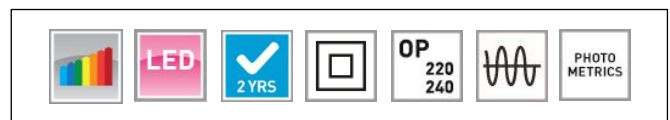


Diagram for RSD24CCT3-01 4,000K. Other diagrams available on request



Polar Intensity Diagram:

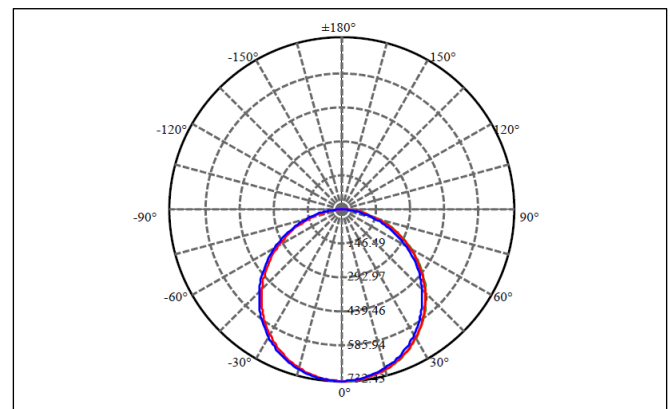


Diagram for RSD24CCT3-01 4,000K. Other diagrams available on request