

# COMMERCIAL

BRAZEN 40W LED Batten, IP20, 1.25m length, 160mm wide base, CCT selectable 3000K, 4000K, 6500K, Standard and Emergency

# ROBUS®

Needing to cover those older fitting installs when you're wanting to do a re-fit? Our Brazen model should tick all those boxes for you, with its larger footprint design to save you time.



### Features and Benefits:

- Standard & Emergency Version available
- CCT3 Selectable – 3000k, 4000k & 6500k
- Up to 108 lm/cctw
- Large terminal blocks
- EM version – LiP04 Technology
- Rear BESA Box entry & end caps pre-marked

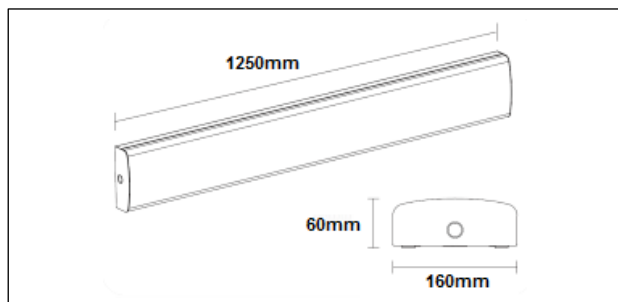
### Applications:

- Garages, Sheds or Workshops
- Shops, Retail stores
- Apartments, Communal areas
- Kitchen and canteen areas
- Reception areas and waiting rooms
- Stationery store-rooms
- Utility rooms and work-stations

### Construction:

- White powder coated pressed steel base
- White polycarbonate end caps
- Opal diffuser
- FR4 Aluminium PCB

Product Code:	RBZ4012CCT3-01	RBZ4012CCT3E-01
Comparable to:	2x36W T8 fluorescent	2x36W T8 fluorescent
Total Power (W):	39.3/37.3/39.9	40.0/38.2/39.8
Total Light Output (lm):	3,640/4,090/3,940	3,330/3,740/3,510
Emergency Mode Light Output (lm):	NA	210/210/220
Efficacy (lm / cctW):	92/108/85	83/98/88
Illuminance at 1m (lux):	1,060/1,200/1,020	950/1,060/990
Emergency Mode illuminance at 1m (lx):	NA	70/70/70
Beam Angle (deg):	120	120
CCT (K):	3,000/4,000/6,500	3,000/4,000/6,500
CRI (Ra):	80	80
Operating Voltage (Vac):	220-240	220-240
Power Factor (PF):	0.97	0.9
Rated Life (hrs):	50,000	50,000
Fitting Warranty (yrs):	3	3 (2yrs Battery)
Ingress Protection (IP):	20	20
Impact Rating (IK):	IK08	IK08
Operating Temperature (°C):	-20 ≤ Ta ≤ +40	-20 ≤ Ta ≤ +40
Height (mm):	60	60
Length (mm):	1,250	1,250
Width (mm):	160	160
Weight (kg):	1.8	2.2



### Cone Illuminance Diagram:

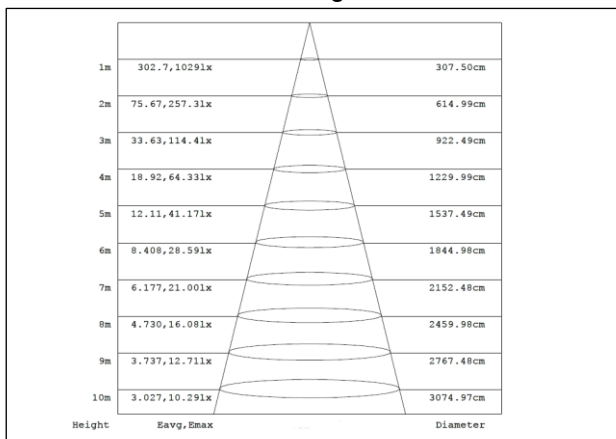


Diagram for RBZ4012CCT3-01 in 6,500K. Other diagrams available on request

### Standards & Approvals:

Complies with: SAA, AS/NZS 60598, AS/NZS 2293.3, CISPR 15, IEC 61000, IEC 62493, IEC 61547, IEC 62471, RCM



### Polar Intensity Diagram:

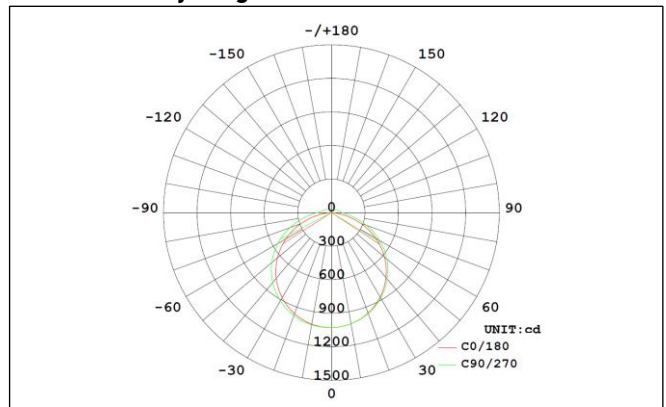


Diagram for RBZ4012CCT3-01 in 6,500K. Other diagrams available on request