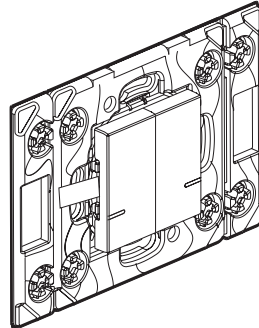


Arteor™ with Netatmo

Connected 2-gang ON/OFF wireless control for lighting and socket outlets

Cat. Nos: 5 742 44/45/46/47



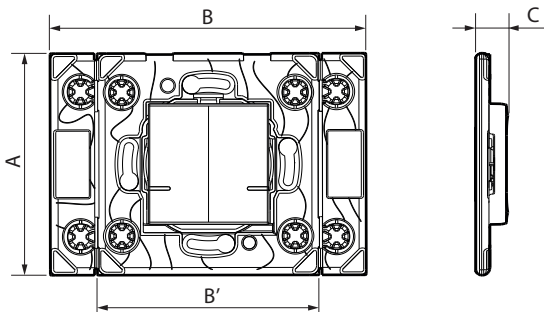
1. USE

Wireless control for 2 ON/OFF light functions or connected socket outlet.
 Controls connected products such as micromodules, socket-outlets, switches and dimmers.
 Can be used as a two-way switch or to control a lighting group.
 • Fixes directly on the wall or screws onto a flush-mounting box.
 • Fits on a piece of furniture (movable).
 Can be combined with 20 connected products per button.

2. RANGE

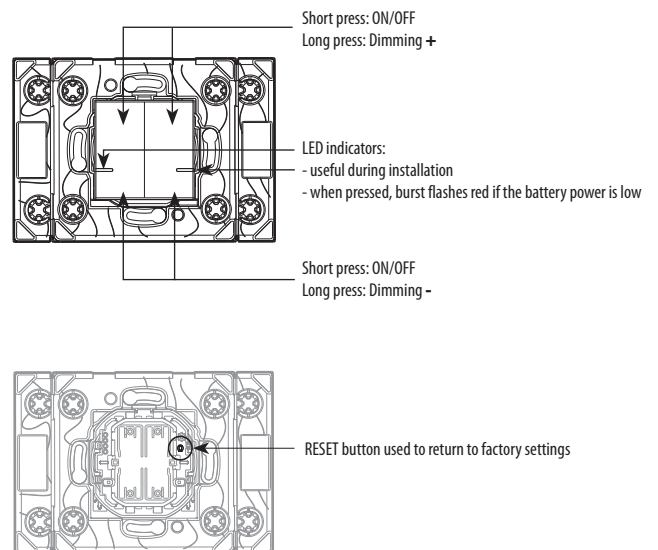
Description	White	Magnesium	Champagne	Soft Alu
2-gang wireless lighting and socket outlets control, for an ON/OFF, dimmer, centralisation function. Supplied with secable support frame, rocker plate and a battery. Equipped with an LED indicator (configuration) and a RESET button (hidden) used to return to factory settings. Repositionable self-adhesive fixings (supplied).	5 742 44	5 742 46	5 742 47	5 742 45

3. DIMENSIONS (mm)



A	B	B'	C
82	116.5	82	12

4. OPERATION



Arteor™ with Netatmo

Connected 2-gang ON/OFF wireless control for lighting and socket outlets

5. TECHNICAL CHARACTERISTICS

■ 5.1 Mechanical characteristics

Protection against impacts: IK 02

Protection against solid bodies and/or liquids: IP 20

IP 40 mounted product

■ 5.2 Material characteristics

Rocker plate: ABS

Mechanism casing with grid: Fibreglass-reinforced (10%) PC

Halogen-free

UV resistant

Self-extinguishing: 650°C/30 s

■ 5.3 Electrical characteristics

Powered by a CR2032 - 3 V lithium battery (supplied)

Battery life: 8 years for 10 activations a day

Frequency bands: 2.4 GHz to 2.4835 GHz

Power level: < 100 mW

■ 5.4 Climate characteristics

Usage temperature: +5°C to +45°C

Storage temperature: 0°C to +45°C

6. CARE

Clean the surface with a cloth.

Do not use acetone, tar-removing cleaning agents or trichloroethylene.

Resistant to the following products:

Hexane, methylated spirit, soapy water, diluted ammonia, bleach diluted to 10%, window-cleaning products, pre-impregnated wipes.

Caution: Always test before using special cleaning products.



Take care to recycle the battery appropriately.

7. STANDARDS AND APPROVALS

The undersigned, LEGRAND, declares that the radio-electric equipment type (5 742 44/45/46/47) complies with directive 2014/53/EU.

The full text of the EU declaration of conformity is available on the following website: www.legrandoc.com

Compliant with installation and manufacturing standards.

See e.catalogue.