

BUNKALITE



Robust and Weatherproof LED Circular



The Bunkalite is a IP65 rated emergency luminaire that is ideal for outdoor covered applications such as corridors, stairwells and walkways in schools and apartment blocks.

Market leading lithium battery technology provides lower maintenance costs and LED lamps provide a low standby power rating that will reduce energy costs significantly.

Constructed with a powdercoated steel body and white opal polycarbonate diffuser the Bunkalite provides a decorative solution for both industrial and commercial use.

Applications



Features and Benefits

- AS/NZS 2293.3 compliant
- IP65 Weatherproof
- IK10 Impact rating
- LED lamps
- Power Coated steel body
- Available in Black, White, Grey and Silver
- Lithium Iron Phosphate battery
- Clevertest Plus System compatible
- Microwave sensor option



BUNKALITE

ORDERING INFORMATION		LP	240V
PART NO.	Standard - White	CBKLEDS-WHT	FBKLED-WHT
	Standard - Black	CBKLEDS-BLK	FBKLED-BLK
	Clevertest Plus System compatible	Yes	-
	DALI	CBKLEDS-DALI-WHT-	-
	Zoneworks® XT Hive	CBKLEDS-HV-WHT-	-
Carton Quantity	1		
Weight - single (carton)	4.5kg		
Dimensions (D x H)	360mm x 145mm		

POWER, LAMPS AND BATTERY	LP	240V
Power Consumption (Standby / Max)	1.0W / 17W	16W
Lamp(s)	LED Module 4000K / 50,000hrs (L70 / E50 Ta40)	
Total Lumen Output	1400lm	1400lm
Battery	Lithium Iron Phosphate	-
Voltage / Capacity (mAh)	3.2V / 3200mAh	-
Charging Method	Intelligent Current Limited Constant Voltage	-

TECHNICAL SPECIFICATIONS	LP	240V
	Operating Mode	Sustained
Voltage (V) (Frequency (Hz))	220-240V (50Hz)	
Operating Temperature	0°C to 40°C	
Ingress Protection Rating (IP)	IP65	
Impact Rating (IK)	IK10	

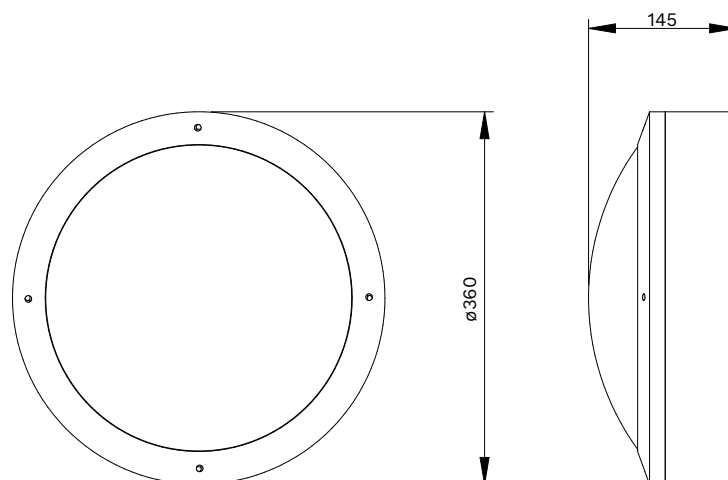
SPARE PARTS	LP
Battery	1550010
Clevertest Node	8001730
DALI Node	8003060
Zoneworks® XT Hive Node	8003190

CLASSIFICATION	LP
C0	D25
C90	D25

SPACING TABLE AND MOUNTING HEIGHTS – AS/NZS 2293.1:2018 (MINIMUM LIGHT LEVEL OF 0.2 LUX)														
Classification	2.1m	2.4m	2.7m	3.0m	3.3m	3.6m	4.0m	4.5m	5.0m	6.0m	7.0m	8.0m	9.0m	10.0m
D25	11.5	13.2	14.8	15.7	16.1	16.4	16.8	17.3	17.6	18.1	18.3	18.2	17.8	17.2

For 1 lux and AS/NZS 2293.1:2005 spacing tables please visit:
<https://clevertronics.com.au/spacing-tables/>

*Warranty information located at:
<https://clevertronics.com.au/warranty-statement/>



Dimensions (mm)

clevertronics.co.nz
clevertronics.com.au

195 Chesterville Road, Moorabbin VIC 3189
 P +61 3 9559 2700 F +61 3 9559 2799 E info@clevertronics.com.au

Clevertronics is committed to continuously improving its products.
 All features and specifications are subject to change without prior notice.
 CT-BRO-ANZ-BUNKALITE-EM-001

