

FORTRESS II



15W LED Security Light With PIR Sensor



Quick
Connect
System



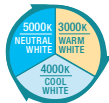
2
YEAR
Replacement
Warranty



Energy
Efficient



IP
54
Rating



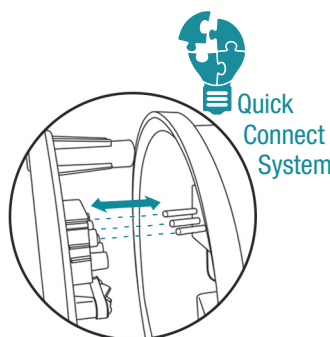
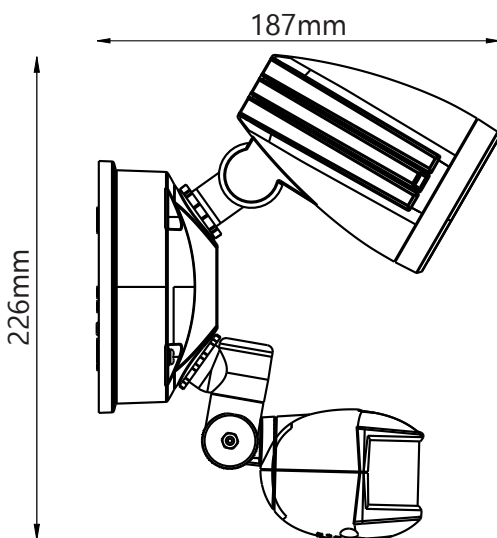
5000K
NEUTRAL
WHITE
3000K
WARM
WHITE
4000K
COOL
WHITE

FEATURES

- /// 15W single head COB LED with PIR sensor
- /// New quick connect system
- /// Tricolour switchable 3000k, 4000k or 5000k
- /// Vertical & horizontal adjustable head
- /// Wall or ceiling mountable

TECHNICAL INFORMATION

Power: 15W
Voltage: 220-240V AC
Colour Temperature: Tricolour 3000K, 4000K or 5000K
Lumens: 1200 - 1250lm
Material: Cast aluminium / polycarbonate
Size: 226mm x 117mm x 187mm
Beam Angle: 100°
Detection Angle: Max. 150°
Detection Distance: Max. 12m
Adjustable Time: 10±5 seconds to 4±1 minutes
LUX: From daylight to night
IP Rating: IP54
Approx Lamp Life: >25000H
Operating Temp: -20°C to +40°C
CRI: Ra>80



MLXF3451MS



MLXF3451WS