

SULTAN CORROSION PROOF, IP65, CCT SELECTABLE, STANDARD, MW SENSOR WITH 3-STEP DIMMING, EMERGENCY & WIDE VOLTAGE RANGE DRIVER

This new range of SULTAN corrosion-proof series have three colour temperature selectable fittings which are available in lengths of 0.6m and 1.2m, and for site applications where a wider range 110-240vac driver is best suited. Integral Microwave sensor versions also save energy with reduced running cost and ease of installation whilst Integral emergency options ensure adequate lighting when power fails, without the need and cost of separate dedicated emergency lighting.



Operation of programmable MW sensor with 3-Step Dimming: Please note that the MW sensor version is has default settings highlighted in the data table. Extended settings are accessed using the remote control/programmer accessory. On detection of movement the sensor switches the driver to full output. After no detection and a selectable hold time, the sensor reduces driver output to selectable standby light level for a selectable standby time. The sensor then turns power to the driver off. Standby time can be infinity so the light doesn't go to off.

Applications:

- Outside walkways
- Industrial units, Warehouses and Storage areas
- Farm buildings (Non-corrosive gas atmosphere)
- Garages, Workshops and Car parks
- Changing rooms and other wet areas

Construction:

Grey coloured polycarbonate body
Opal polycarbonate diffuser
Stainless steel clips
Steel gear tray

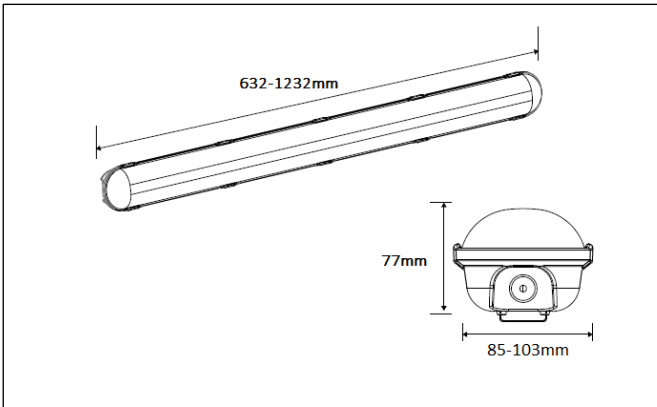
Features and Benefits:

- With a slim rounded design these fittings provide an attractive aesthetic for less industrial looking requirements
- There's a full range of lengths, wattages and lumen packages to provide a solution for most applications
- Integral Microwave version with 3-step dimming function primarily saves energy, but also saves wiring time and often difficulty of wiring in external sensors
Standby light ensures that people not within the sensor detection zone, are warned of impending lights off by going into a selectable standby light level
[Note: The remote control/programmer accessory is required to access additional parameters other than default settings]
- Wide range driver voltage option 110-240vac make them ideal for site temporary and transformer use
- Integral emergency versions provide light on power failure to safely evacuate the area while retaining the same neat aesthetics
- An end mounted PIR for the non-sensor version provides simple on/off control for additional energy savings
- The fitting utilises high quality SMD LED's to provide similar light outputs to fluorescent whilst using around 50% power
Long life is also assured with no costly maintenance through life
- A selectable colour temperature of 3,000K, 4,000K and 6,500K ensure the correct light colour for the application, whilst high CRI make them ideal for security and providing clear task visibility
- Using a dedicated LED plate held in place by spring clips provides for cooler running and a more efficient solution than LED tubes which yield up to 30% less light and are prone to theft
- Having a polycarbonate base with rubber seal means:
They are flexible and won't crack when mounted on uneven surfaces
They have protection against ingress of dust and water jets and will not corrode so give long service life
- A frosted diffuser allows for excellent light uniformity with reduced eye glare for a more comfortable working environment
- Grade 304 stainless steel diffuser clips ensures they don't rust and always look good
- Stainless steel surface mounting brackets and suspension hangers included cater for most mounting requirements
- There are gland entry points at both ends and base suitable for many conduit electrical infrastructures
- Utilising solid-state lighting technology with no heat filaments or electrodes, they are less susceptible to failure due to building vibration caused by traffic or hot/cold temperature variations
- "Instant on" and no cool down period means they can be switched by microwave, PIR and/or photocell which provides even greater energy savings when lighting is not required. Short time switching reduces life of traditional light sources

SULTAN CORROSION PROOF, IP65, CCT SELECTABLE, STANDARD, MW SENSOR WITH 3-STEP DIMMING, EMERGENCY & WIDE VOLTAGE RANGE DRIVER

Product Codes:	Non-Emergency:		Standard				MW Sensor		Wide Range 110-240VAC	
	Emergency:	RSU1206CCT3 N/A	RSU2406CCT3 RSU2406CCT3E	RSU2412CCT3 N/A	RSU4812CCT3 RSU4812CCT3E	RSU4812CCT3DP RSU4812CCT3DPE	RSU4812CCT3110 RSU4812CCT3110E			
Comparable to:		1x18W	2x18W	1x36W	2x36W	2x36W	2x36W		2x36W	
Total Power (W):		13.1/12.5/13.0	23.9/22.5/23.7	25.2/23.2/25.2	50.7/47.6/50.4	51.5/47.4/50.6	47.9/43.8/47.2		47.9/43.8/47.2	
Total Light Output (lm):		1100/1310/1320	2210/2600/2560	2480/2770/2690	4280/5120/5000	4400/5140/5020	4100/4700/4690		4100/4700/4690	
Emergency Mode Light Output (lm):		N/A	350	NA	350	350	350		350	
Efficacy (lm / cctW):		85/105/102	93/116/109	99/120/107	85/108/100	86/109/100	86/108/100		86/108/100	
Illuminance at 1m (lux):		310/360/360	640/750/730	680/760/730	1260/1510/1470	1310/1520/1480	1210/1380/1370		1210/1380/1370	
Emergency Mode illuminance at 1m (lx):		N/A	100	NA	100	100	100		100	
Beam Angle (deg):		130 x 110	130 x 110	130 x 110	130 x 110	130 x 110	130 x 110		130 x 110	
CCT (K):		3000/4000/6500	3000/4000/6500	3000/4000/6500	3000/4000/6500	3000/4000/6500	3000/4000/6500		3000/4000/6500	
CRI (Ra):		80	80	80	80	80	80		80	
Rated Life (hrs):		50,000	50,000	50,000	50,000	50,000	50,000		50,000	
Warranty (yrs):		5	5	5	5	5	5		5	
Ingress Protection (IP):		65	65	65	65	65	65		65	
Impact Rating (IK):		08	08	08	08	08	08		08	
Operating Temperature (°C):		-25 ≤ t ≤ +40	-10 ≤ t ≤ +40Em	-25 ≤ t ≤ +40	-10 ≤ t ≤ +40Em	-10 ≤ t ≤ +40 Em	-10 ≤ t ≤ +40Em		-10 ≤ t ≤ +40Em	
Operating Voltage (Vac):		220-240	220-240	220-240	220-240	220-240	110-240		110-240	
Power Factor (PF):		0.95	0.95	0.95	0.95	0.95	0.95		0.95	
Height (mm):		77	77	77	77	77	77		77	
Length (mm):		632	632	1,232	1,232	1,232	1,232		1,232	
Width (mm):		85	103	85	103	103	103		103	
Box Qty:		1	1	1	1	1	1		1	
Weight (kg):		1.1	1.1/1.5	1.3	1.55/1.8	1.75/2.1	1.55/1.8		1.55/1.8	

Microwave sensor data (Default settings highlighted yellow)	
Mounting Height (m):	2.5-3.5
Maximum Detection Range (m):	8
Lux switching point (lx):	Bespoke, Disabled, 10, 30, 50
Sensitivity (%):	20, 50, 75, 100
Hold Time (min):	10sec, 1, 5, 15, 30, 60
Standby light level (%):	10, 20, 30
Standby Time (min):	1, 30, 60, 24hr



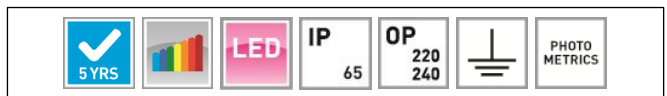
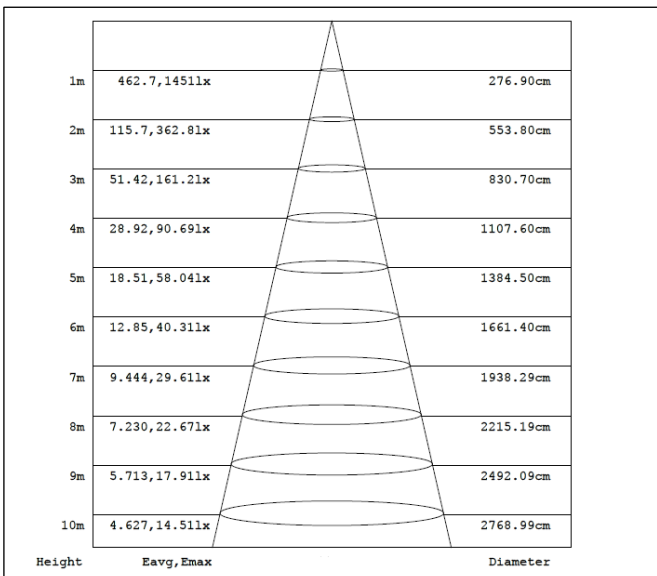
Accessories:

- R360RC-01** Remote control/programmer for MW sensor version (Used to access extended default settings)
- R360PIR-01** Alternative on/off PIR sensor for standard version (Use above remote control/programmer)

Standards & Approvals:

Complies with: Complies with: AS/NZS 60598, IEC 55015, CISPR 15, IEC 61000, IEC 62493, IEC 61547, IEC 62471, RCM

Cone Illuminance Diagram:



Polar Intensity Diagram:

