

COMMERCIAL

SULTAN Wide Range Models 110v – 240v, 12W, 24W & 48W
LED corrosion proof, 110-240v, IP65, 2ft and 4ft, Grey, CCT3 selectable
(3000K/4000K/6500K),

This compact range of corrosion proof fittings are available in common lengths of 0.6m and 1.2m, and for site applications where a wider range 110-240Vac driver is better suited. Three colour temperature selectable fittings 3,000k, 4,000k & 6,500k

ROBUS®



Features:

- CCT 3 Selectable
- IP-65
- Wide range driver 110v-240v AC
- Corrosion Proof fitting
- Stainless Steel clips & mounting brackets

Applications:

- Wet areas / Changing rooms
- Outside walkways
- Warehouses
- Storage areas & Industrial units
- Garages, Workshops & Carparks

Construction:

- Grey coloured Polycarbonate Body
- Polycarbonate diffuser
- Stainless steel clips
- Steel gear tray

Product Code:	RSU1206CCT3110-24	RSU2406CCT3110-24	RSU2412CCT3110-24	RSU4812CCT3110-24	RSU4812CCT3110E-24
Comparable to:	1x18W T8	2x18W T8	1x36W T8	2x36W T8	2x36W T8
Total Power (W):	12.0/ 11.8/ 12.2	23.3/22.4/23.7	22.6/22.1/23.1	47.9/43.8/47.2	47.9/43.8/47.2
Total Light Output (lm):	1,260/ 1,390/ 1,350	2,400/2,650/2,610	2,360/2,600/2,530	4,100/4,700/4,690	4,100/4,700/4,690 EM -350
Efficacy (lm / cctW):	105/108/111	103/118/110	104/118/110	86/108/100	86/108/100
Illuminance at 1m (lux):	340/370/360	630/690/680	680/740/720	1210/1380/1370	1210/1380/1370
Beam Angle (deg):	140	140	140	140	140
CCT (K):	3,000/ 4,000/ 6,500	3,000/ 4,000/ 6,500	3,000/ 4,000/ 6,500	3,000/ 4,000/ 6,500	3,000/ 4,000/ 6,500
CRI (Ra):	83/88/85	83/89/85	83/88/85	83/88/85	83/88/85
Rated Life (hrs):	50,000	50,000	50,000	50,000	50,000
Warranty (yrs): ** Em battery 2yrs	5	5	5	5	5 / ** 2
Ingress Protection (IP):	65	65	65	65	65
Impact Rating (IK):	08	08	08	08	08
Operating Temperature (°C):	-20 ≤ Ta ≤ +40	-20 ≤ Ta ≤ +40	-20 ≤ Ta ≤ +40	-20 ≤ Ta ≤ +40	-20 ≤ Ta ≤ +40
Operating Voltage (Vac):	110-240	110-240	110-240	110-240	110-240
Power Factor (PF):	0.9	0.9	0.9	0.9	0.9
Height (mm):	77	77	77	77	77
Length (mm):	632	632	1,232	1,232	1,232
Width (mm):	85	103	85	103	103
Weight (kg):	1.0	1.0	1.3	1.5	1.8

Cone Illuminance Diagram:

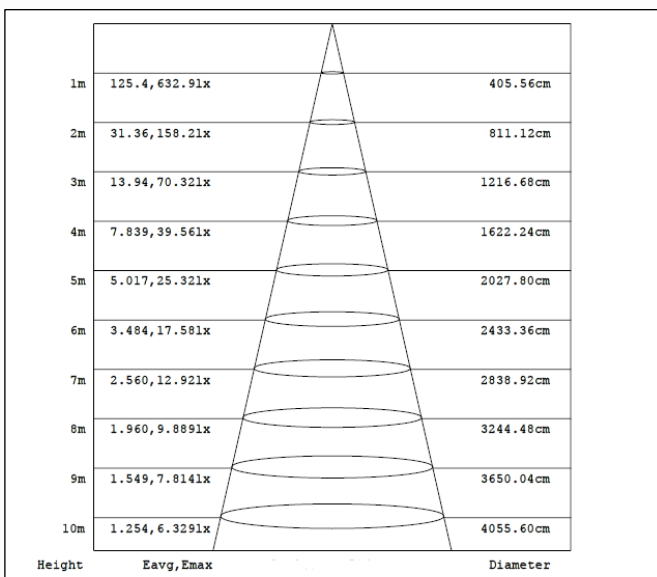
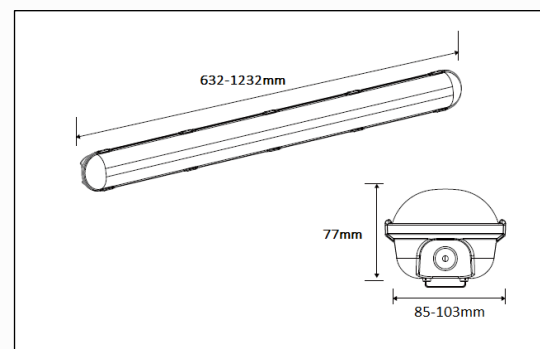


Diagram for RSU2406CCT3110-24 in 3,000K. Other diagrams available on request



Standards & Approvals:

Complies with: SAA & RCM, AS/NZS 60598, CISPR 15, IEC 61547



PLEASE NOTE: INFORMATION IN THIS DOCUMENT MAY BE SUBJECT TO CHANGE WITHOUT PRIOR NOTICE

IRE: TEL: +353 1 709 9000
AUS: TEL: +61 7 3890 5444

WEB: WWW.ROBUS.COM
WEB: WWW.ROBUS.COM.AU

LED GROUP EUROPE · AUSTRALIA · ASIA · MIDDLE EAST · AFRICA