

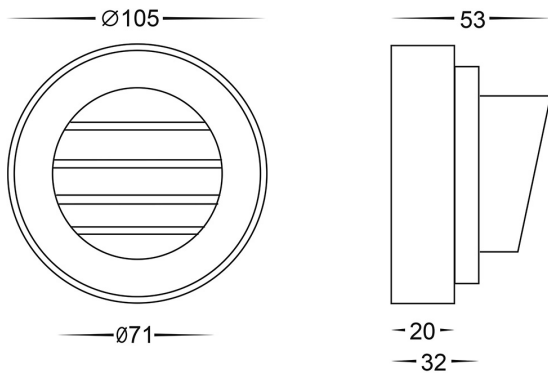
316 Stainless Steel Louvred Step Light

PRODUCT SPECIFICATIONS

- Name:** Pinta
- Material:** 316 Stainless Steel
- Colour:** Stainless Steel
- IP Rating:** IP65
- Lamp Base:** Built in LED
- CRI:** ≥80
- Cable Length:** 200mm
- Wiring:** Parallel
- Dimmable:** No
- Warranty:** 2 Years Replacement**



DIMENSIONS



COLOUR TEMPERATURE

Tri-Colour By Havit

3000K

4000K

5500K



IP RATING



APPROVALS



Product Ordering

IMAGE	PART NUMBER	COLOURTEMP	LUMENS	INPUT	BEAM ANGLE	INCLUDED LED
	HV2905T-12V	3000k 4000k 5500k	160lm 170lm 180lm	12v DC	120°	TRI Colour 2.3w Built in LED

12v DC models must be used with suitable 12v DC LED Driver

* Lumen output measured at source

** See Warranty Terms and Conditions for more information

For more information contact Havit Lighting

ADDRESS:
143 Beauchamp Road
Matraville NSW 2036
Australia

Tel: 02 9381 8300
Fax: 02 9666 8881
Email: sales@havitt.com.au
web: www.havitt.com.au