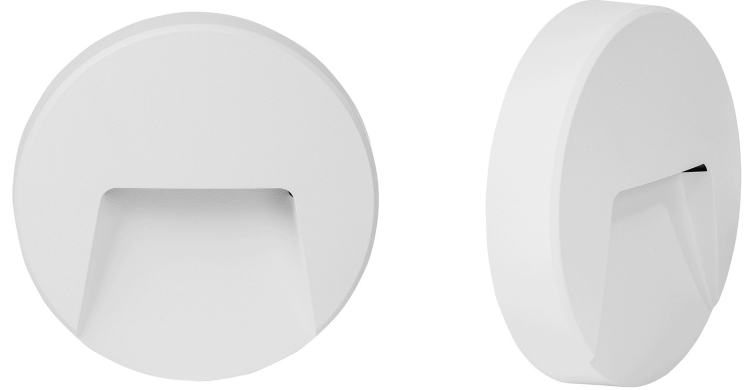


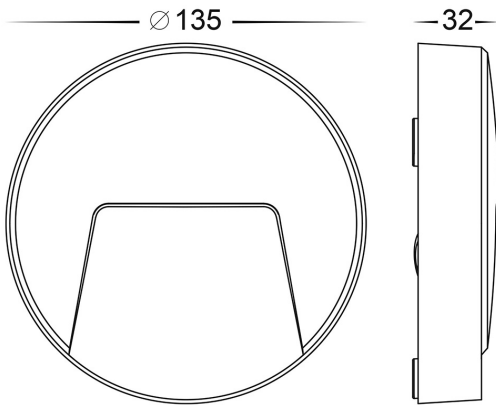
Round Polycarb Step Lights

PRODUCT SPECIFICATIONS

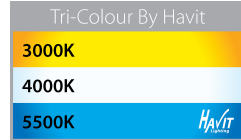
- Name:** Seefore
- Material:** Polycarb
- Colour:** Matt Black or Matt White
- IP Rating:** IP65
- Lamp Base:** Built in LED
- CRI:** ≥80
- Wiring:** Parallel
- Dimmable:** No
- Warranty:** 2 Years Replacement**



DIMENSIONS



COLOUR TEMPERATURE



IP RATING



APPROVALS



Product Ordering

IMAGE	PART NUMBER	COLOURTEMP	LUMENS	INPUT	BEAM ANGLE	INCLUDED LED
	HV3221T-BLK	3000K 4000K 5500K	90lm 95lm 100lm	12v DC	120°	Tri-Colour 3w Built in LED
	HV3221T-WHT	3000K 4000K 5500K	90lm 95lm 100lm	12v DC	120°	Tri-Colour 3w Built in LED

12v DC models must be used with suitable 12v DC LED Driver

* Lumen output measured at source

** See Warranty Terms and Conditions for more information

For more information contact Havit Lighting

ADDRESS:
143 Beauchamp Road
Matrville NSW 2036
Australia

Tel: 02 9381 8300
Fax: 02 9666 8881
Email: sales@hav.it.com.au
web: www.havit.com.au