

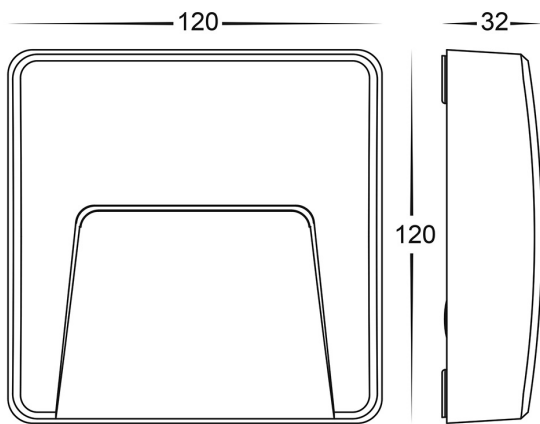
# Square Polycarb Step Lights

## PRODUCT SPECIFICATIONS

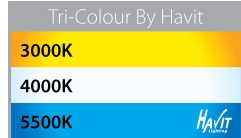
**Name:** Seefore  
**Material:** Polycarb  
**Colour:** Matt Black or Matt White  
**IP Rating:** IP65  
**Lamp Base:** Built in LED  
**CRI:** ≥80  
**Wiring:** Parallel  
**Dimmable:** No  
**Warranty:** 2 Years Replacement\*\*



## DIMENSIONS



## COLOUR TEMPERATURE



## IP RATING



## APPROVALS



## Product Ordering

| IMAGE | PART NUMBER        | COLOURTEMP              | LUMENS                | INPUT  | BEAM ANGLE | INCLUDED LED                         |
|-------|--------------------|-------------------------|-----------------------|--------|------------|--------------------------------------|
|       | <b>HV3222T-BLK</b> | 3000K<br>4000K<br>5500K | 90lm<br>95lm<br>100lm | 12v DC | 120°       | <b>Tri-Colour</b><br>3w Built in LED |
|       | <b>HV3222T-WHT</b> | 3000K<br>4000K<br>5500K | 90lm<br>95lm<br>100lm | 12v DC | 120°       | <b>Tri-Colour</b><br>3w Built in LED |

12v DC models must be used with suitable 12v DC LED Driver

\* Lumen output measured at source

\*\* See Warranty Terms and Conditions for more information

For more information contact Havit Lighting

ADDRESS:  
 143 Beauchamp Road  
 Matraville NSW 2036  
 Australia

Tel: 02 9381 8300  
 Fax: 02 9666 8881  
 Email: sales@hav.it.com.au  
 web: www.havit.com.au