

ATyS P 125A 4 pole basic transfer switch - integrated transfer logic, LCD display with energy/power metering, comms



- Plug and play solution
- Integrated auto-configuration
- Quick installation
- Manual emergency control
- Continuous information on product availability
- Robust products
- High levels of performance

Representative Photo Only  
(actual product may vary based on configuration selections)

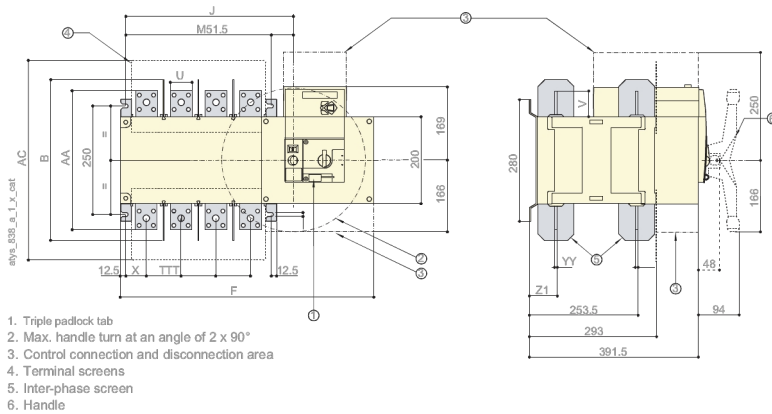
#### SPECIFICATIONS

Component Type Power Distribution & Protection	Automatic Transfer Switch
Frame Size	B3 size
Number of Poles	4
Unom, Supply Voltage, AC, Nom	230 V AC
Umin, Supply Voltage, AC, Min	166 V AC
Umax, Supply Voltage, AC, Max	332 V AC
Ith, Thermal Current at 40°C	125 A
Details, Thermal Current	Derating correction factor(Kt) applies from 40°C to 70°C. Kt=0.9 for temperature from 40°C to 50°C; Kt=0.8 for temperature from 50°C to 60°C; Kt=0.7 for temperature from 60°C to 70°C.
Ie, Rated Operational Current, AC-21a, 415V	125 A@415V
Ie, Rated Operational Current, AC-21a, 690V	125 A@690V
Ie, Rated Operational Current, AC-21b, 415V	125 A@415V
Ie, Rated Operational Current, AC-21b, 690V	125 A@690V
Ie, Rated Operational Current, AC-22a, 415V	125 A@415V
Ie, Rated Operational Current, AC-22a, 690V	125 A@690V
Ie, Rated Operational Current, AC-22b, 415V	125 A@415V
Ie, Rated Operational Current, AC-22b, 690V	125 A@690V
Ie, Rated Operational Current, AC-23a, 415V	125 A@415V
Ie, Rated Operational Current, AC-23a, 690V	63 A@690V
Ie, Rated Operational Current, AC-23b, 415V	125 A@415V
Ie, Rated Operational Current, AC-23b, 690V	80 A@690V
Ie, Rated Operational Current, AC-31b, 415V	125 A@415V
Ie, Rated Operational Current, DC-20a, 220V	125 A@220V
Ie, Rated Operational Current, DC-20a, 440V	125 A@440V
Ie, Rated Operational Current, DC-20b, 220V	125 A@220V
Ie, Rated Operational Current, DC-20b, 440V	125 A@440V



le, Rated Operational Current, DC-21a, 220V	125 A@220V
le, Rated Operational Current, DC-21a, 440V	125 A@440V
le, Rated Operational Current, DC-21b, 220V	125 A@220V
le, Rated Operational Current, DC-21b, 440V	125 A@440V
le, Rated Operational Current, DC-22a, 220V	125 A@220V
le, Rated Operational Current, DC-22a, 440V	125 A@440V
le, Rated Operational Current, DC-22b, 220V	125 A@220V
le, Rated Operational Current, DC-22b, 440V	125 A@440V
le, Rated Operational Current, DC-23a, 220V	125 A@220V
le, Rated Operational Current, DC-23a, 440V	125 A@440V
le, Rated Operational Current, DC-23b, 220V	125 A@220V
le, Rated Operational Current, DC-23b, 440V	125 A@440V
Icw, short time withstand current, 1s (rms)	7 kA for 1s
Ipk, Peak Current, Max	20000 A
Current, Fuse-Protected Short-Circuit Capacity, 400V	100 kA
Fuse Current Rating	125 A
Ui, Rated Insulation Voltage	800 V (rms)
Uimp, Impulse Withstand Voltage	8 kV
Cable Cross Section (Min)	35 mm <sup>2</sup>
Cable Cross Section (Max)	50 mm <sup>2</sup>
Busbar Width, Max	25 mm, max
Switching Time (I - II / II - I)	0.75 s
Switching Time (I - 0 / II - 0)	0.45 s
Electrical Blackout Time (I - II)	0.3 s
Supply Power, Inrush	206 VA
Supply Power, Rated, AC 50Hz	114 VA
Mechanical Service Life	10000 cycles
Operating Temperature, Min	-20 °C min
Operating Temperature, Max	40 °C max
Storage Temperature, Min	-40 °C min
Storage Temperature, Max	70 °C max
Relative Humidity, Max	95 %RH
Humidity Type	Non-condensing
Altitude, Operating (No Derating)	2000 m
Height	184 mm
Width	334 mm
Depth	244 mm
Weight	8 kg
Standards Compliance	IEC 61000-4-2 IEC 61000-4-3 IEC 61000-4-4 IEC 61000-4-5 IEC 61000-4-6 IEC 60947-6-1 IEC 60947-3 GB 14048-11
Certifications	CE RoHS

REFERENCES	
IECEX Certificate	-
Supplier Declaration of Conformity:	-
Installation Guide:	-
User Manual:	-
Manufacturer Datasheet:	-
Manufacturer Catalogue & Product Selection:	-



Rating (A) / Frame Size	Overall Dimensions		Terminal Shrouds					Switch Body					Switch Mounting			Connection				
	B	AC	F 3p.	F 4p.	J 3p.	J 4p.	J1	M 3p.	M. 4p.	T	U	V	X	Y	Z1	AA				
125 / B3	370	461	504	584	306.5	386.5	255	335	80	50	60.5	47.5	7	66.5	321	3.5				
160 / B3	370	461	504	584	306.5	386.5	255	335	80	50	60.5	47.5	7	66.5	321	3.5				
200 / B3	370	461	504	584	306.5	386.5	255	335	80	60	65	47.5	7	66.5	330	3.5				
250 / B4	380	531	596	716	398.5	518.5	347	467	120	90	44	53	8	67.5	288	3.5				
315 / B4	345	288	328	378	152	195	245	160	210	50	35	35	11	33	33	3.5				
400 / B4	345	288	328	378	152	195	245	160	210	50	35	35	11	33	33	3.5				
500 / B5	394	402	377	437	221	244	304	210	270	65	32	50	14	42.5	37.5	5				
630 / B5	394	402	377	437	221	244	304	210	270	65	45	50	13	42.5	37.5	5				

Dimension Diagram