


Datasheet

LED Satellite – D50

CAT. NO. 659007LI, 659008LI



659007LI

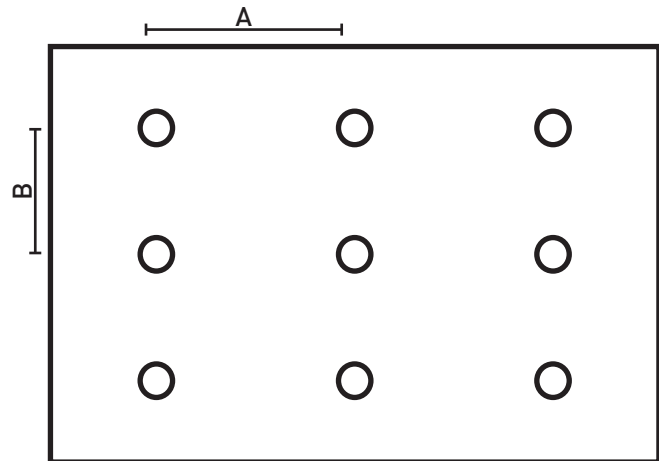
Cat. No.	659007LI	659008LI
Finish	White	Black
Operation Mode	Non - Maintained	
Battery	Li-ion 6.4 V, 1.5 Ah	
Operating Voltage	230 - 240 V a.c. 50 Hz	
Power Consumption	1.5 W	
LED Service Life (LSL)	100,000 hrs	
Body Construction	Polycarbonate	
Operating Temperature	10° C to 40° C	
IP Rating	IP20	
Compliance	AS/NZS 2293, AS/NZS 60598, AS/NZS 4268, AS CISPR 15	
Product Marking	 R-NZ	



FEATURES

- Embedded Bluetooth for smart device connectivity.
- Low Power Wide Area Network type of communications utilising the LoRa platform.
- LoRa communication to maximise reliability, coverage and infiltration.
- iSmart™ temperature sensing technology for the Li-ion battery.
- Electronics designed to lengthen the life of the battery, minimising maintenance costs.
- Environment friendly battery.
- Easy to install.
- Suitable for different hole sizes.
- One high brightness LED.
- 5 Year Warranty.
- Designed and Manufactured in Australia.

Cat. No.	Description	Classification C ₀ /C ₉₀
Galaxy		
659007LI	Galaxy LED Satellite Flex and Plug - White	D50
659008LI	Galaxy LED Satellite Flex and Plug - Black	D50



Spacing Table:

Maximum spacings between luminaires for 0.2 lux (Australia)

Mounting Height (m)	2.4	2.7	3	3.3	3.6	4.0
A	13.2	14.8	16.5	18.1	19.8	21.8
B	13.2	14.8	16.5	18.1	19.8	21.8

As per AS/NZS 2293.1:2018

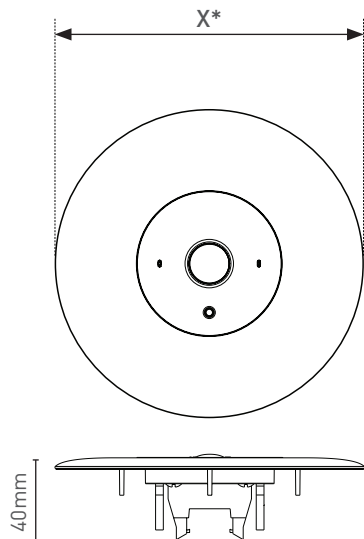
Maximum spacings between luminaires for 1.0 lux (New Zealand)

Mounting Height (m)	2.4	2.7	3	3.3	3.6	4.0
A	10.5	10.8	11.0	11.2	11.4	11.5
B	10.5	10.8	11.0	11.2	11.4	11.5

As per AS/NZS 2293.1:2018

DIMENSIONS

Fascia



Type	Diameter (X*)
Satellite (No trim)	60 mm
Small Ring	80 mm
Medium Ring	120 mm
Large ring	150 mm

Power Pack

