

# Datasheet

## E2 LED Edgelight



CAT NO. 659003LI, 659004LI, 659005LI, 659006LI



659005LI



659003LI

<b>Operating mode</b>	Maintained
<b>Supply voltage</b>	230 - 240V a.c. 50Hz
<b>Max power consumption</b>	3W
<b>Battery</b>	Li-ion 6.4V, 0.57 Ah
<b>IP rating</b>	IP21
<b>Body construction</b>	Injection moulded polycarbonate
<b>Diffuser</b>	Injection moulded acrylic
<b>Compliance</b>	AS/NZS 2293.3 AS/NZS 60598.2.22  



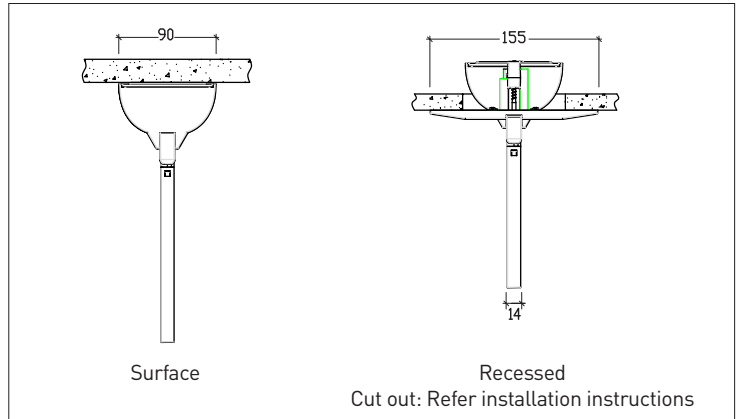
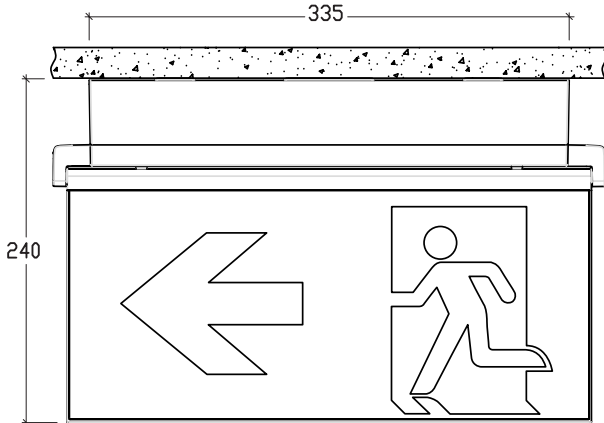
# Datasheet

## E2 LED Edgelight

CAT NO. 659003LI, 659004LI, 659005LI, 659006LI



### DIMENSIONS



- Embedded Bluetooth for smart device connectivity
- Low Power Wide Area Network type of communications utilising the LoRa platform
- LoRa communication to maximise reliability, coverage and infiltration
- iSmart™ temperature sensing technology for the LIION battery
- Electronics designed to lengthen the life of the battery, minimising maintenance costs
- Environmentally friendly battery
- Available in white and black
- Can be wall, ceiling or cantilever mounted
- Large terminal block for ease of connection
- 5 year warranty
- Designed and manufactured in Australia

Recessed	
659003LI	E2 Recessed/Surface + 4 Running Man decals - White
659004LI	E2 Recessed/Surface + 4 Running Man decals - Black
Surface-mounted	
659005LI	E2 Surface only + 4 Running Man decals - White
659006LI	E2 Surface only + 4 Running Man decal - Black
Accessories	
684735	E2 Lens Replacement Kit
684737	E2 Surface Mounting Block Kit White
684739	E2 Surface Mounting Block Kit Black
686216	Wire suspension kit 2x6m
662001	Battery pack Li-ion 6.4V

Classification	
Single-Sided	C0 C12.5, C90 C12.5
Double-Sided	C0 C10, C90 C12.5

### Spacing table:

Maximum Spacing between luminaires 0.2 lux (Australia)

	Mounting height (m)	2.4	2.7	3.0	3.3	3.6	4
C0	C10	7.7	8.0	8.3	8.6	8.8	9.0
C90	C12.5	8.2	8.6	8.9	9.2	9.5	9.8

Maximum Spacing between luminaires 1 lux (New Zealand)

	Mounting height (m)	2.4	2.7	3.0	3.3	3.6	4
C0	C10	4.1	4.0	3.9	3.6	3.0	2.0
C90	C12.5	4.6	4.6	4.5	4.4	4.1	3.4

Legrand Australia  
1300 369 777  
www.legrand.com.au  
ABN 31 000 102 661

Legrand New Zealand  
0800 476 009  
www.legrand.co.nz

Refer to your group buying office, Legrand Sales Representative or Legrand Sales Office for pricing.

Please note: specifications are subject to change without prior notice.