

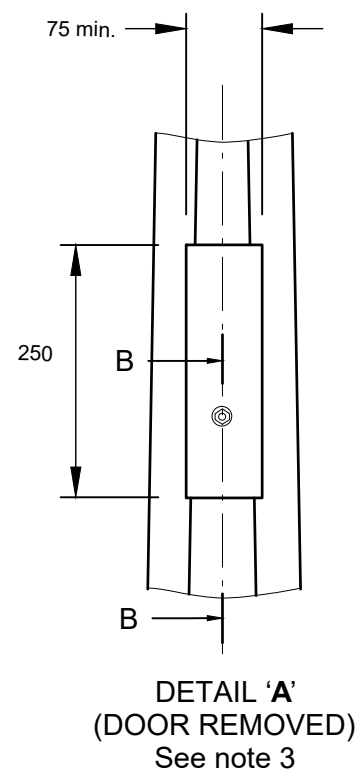
GENERAL NOTES

1. Material and design must comply with current SA Power Networks Technical Specification for Steel Public Lighting Poles.
2. The weatherproof flush fitting wiring access door is to be fixed with suitably lubricated 2 x M8 button head socket screws (plated).
3. Door aperture to be minimum of 75mm x 250mm opening, with suitable reinforcement straps welded as required.
4. Cable entry (75mm x 250mm) – Bottom edges to be depressed, and remove any sharp edges.
5. Drawing to read in conjunction with current SA Power Networks Technical Specification for steel public lighting poles.

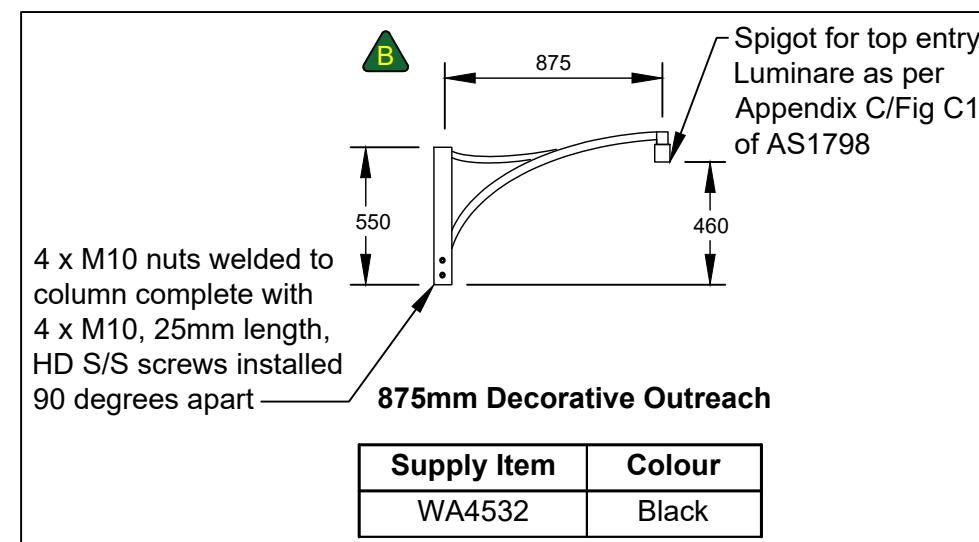
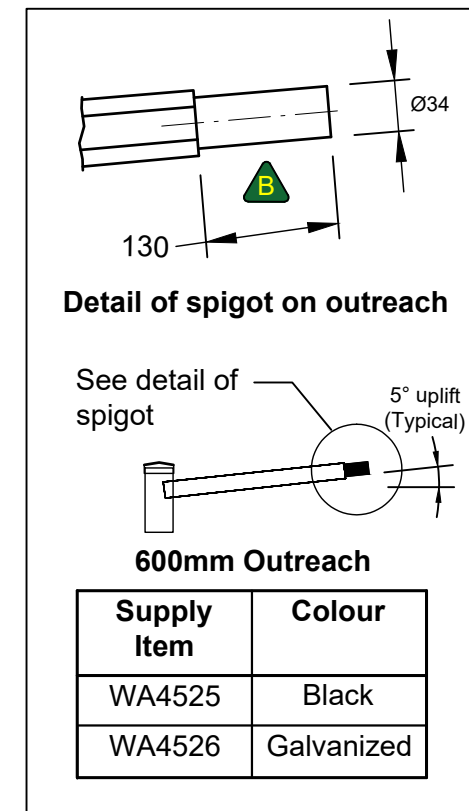
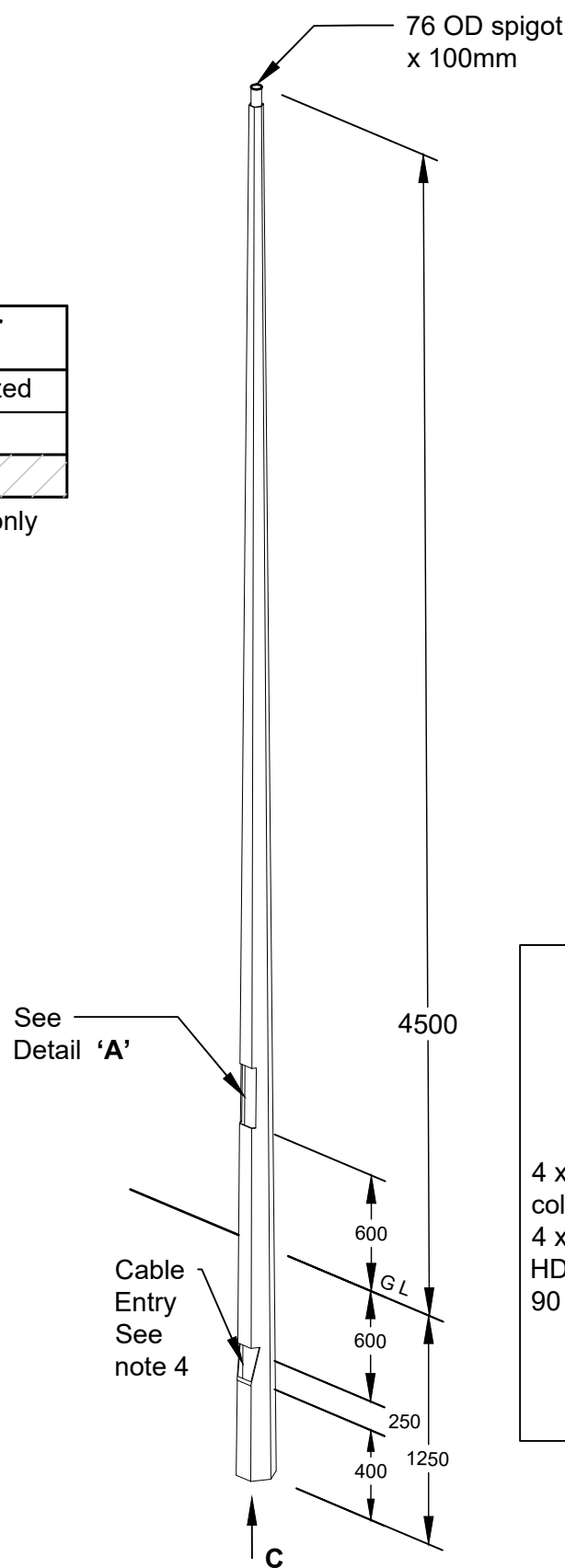
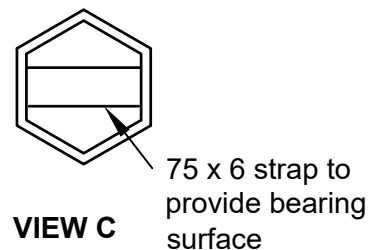
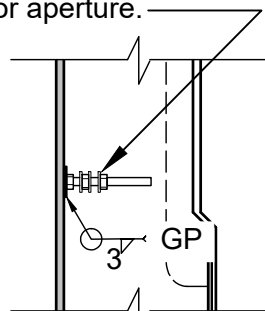
4.5m Rigid Pole

Supply Item	Colour
WA4000	Galvanized
WA4003	Black
WA4100*	Green

* Denotes for maintenance only



M10 x 45 long setscrew, galvanised mild steel. Threads must be clean and a free fit, supplied with 2 galv nuts and 3 galv star washers and to be accessible through door aperture.



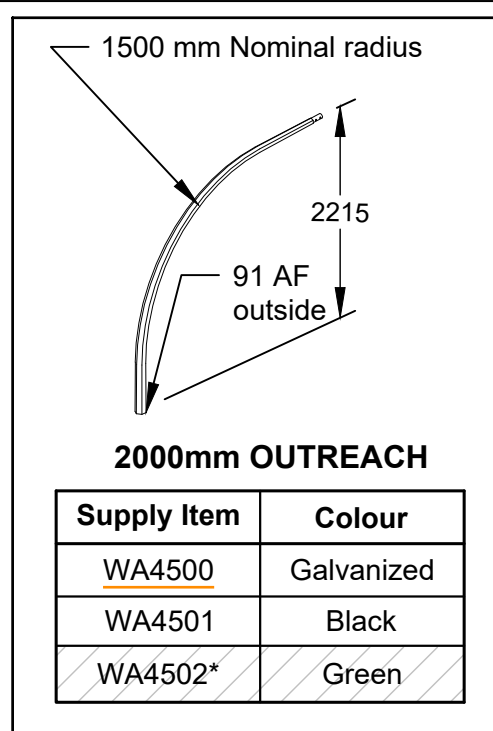
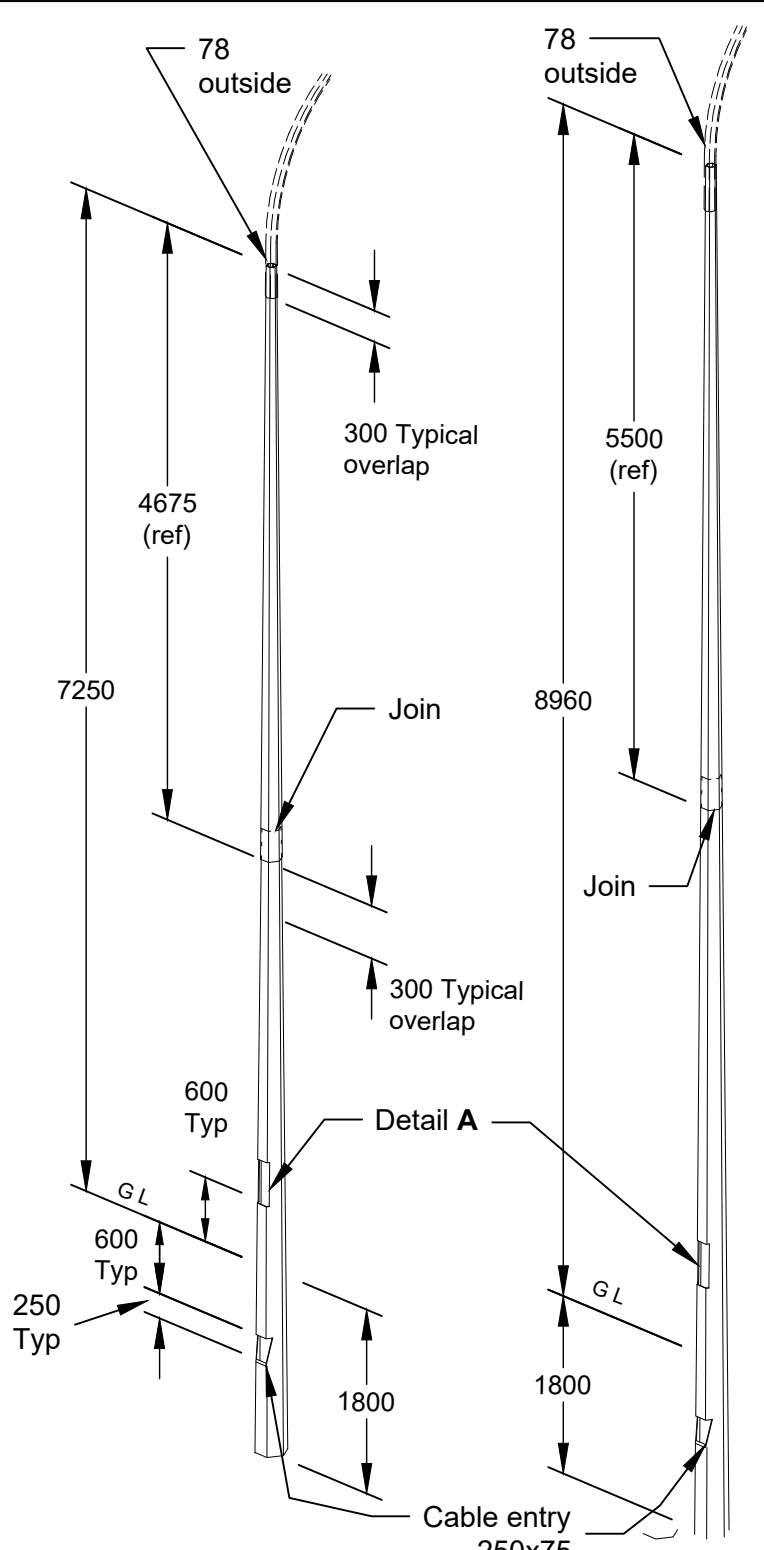
REV	DETAILS OF REVISION	DRN	TECH	WHS	AUTH	DATE
B	A3 was A4, 12mm holes deleted, add Dec O/reach, 100 was 130	P.M	B.N	A.M	M.N	17-12-21
A	Notes updated, 600mm outreach & detail added	AG	BN	AF	JA	4/16

DRN	Bob Henley
TECH APPR	M Lewandowski
WHS APPR	Bob Henley
AUTH	R Darley
DATE	7/2000

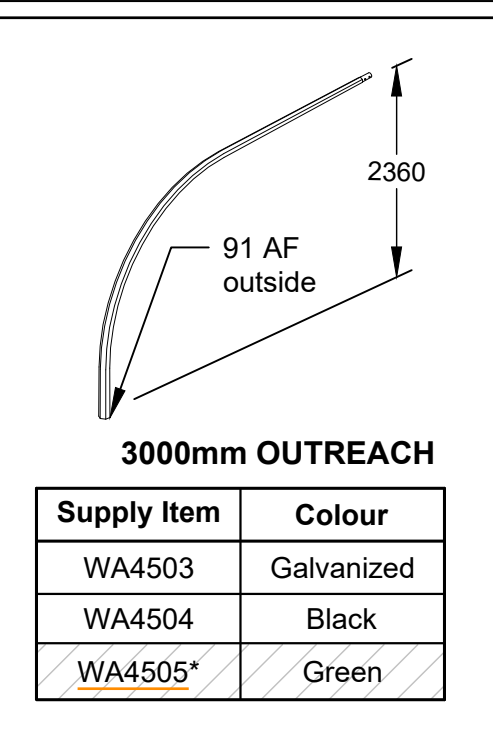
SA Power Networks
© SA Power Networks
Use of these drawings must be strictly in accordance with the terms and conditions agreed with SA Power Networks

POLE - PUBLIC LIGHTING
4.5m ABOVE GROUND - POST TYPE

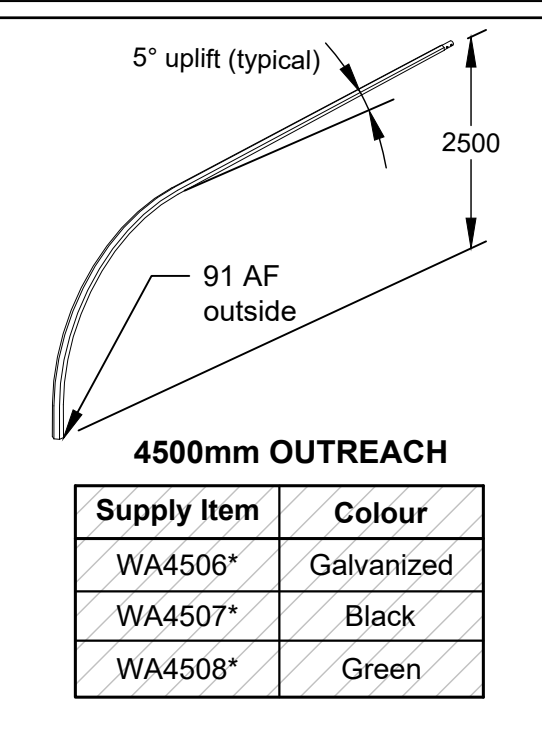
SCALE: NTS A3
DRAWING NUMBER: 184 / WA4XXX
JOB: NST-3232
SHEET: 1
REV: B



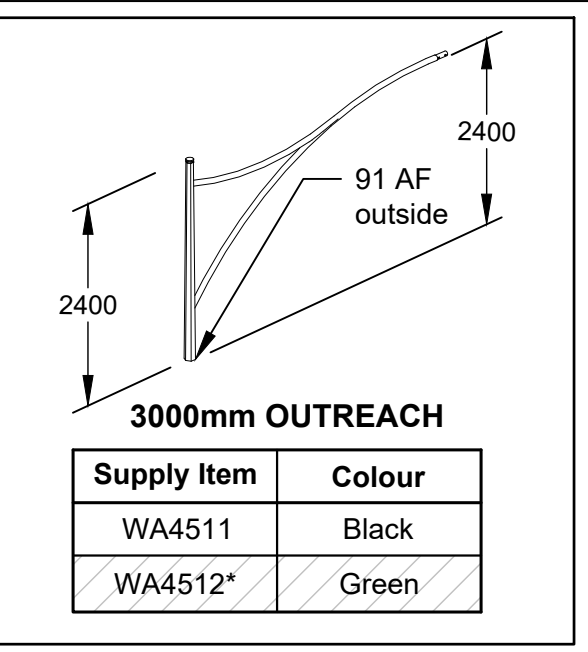
Supply Item	Colour
WA4500	Galvanized
WA4501	Black
WA4502*	Green



Supply Item	Colour
WA4503	Galvanized
WA4504	Black
WA4505*	Green

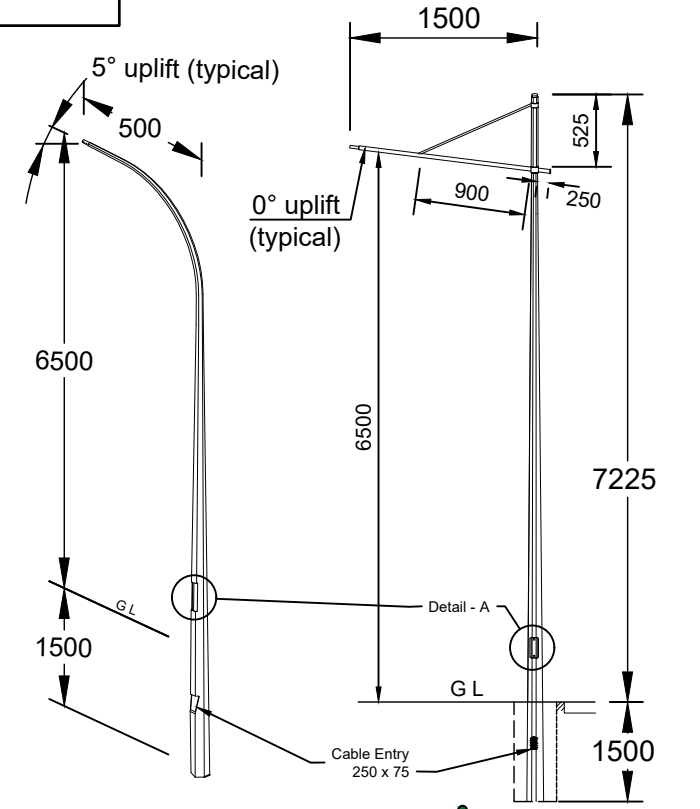


Supply Item	Colour
WA4506*	Galvanized
WA4507*	Black
WA4508*	Green



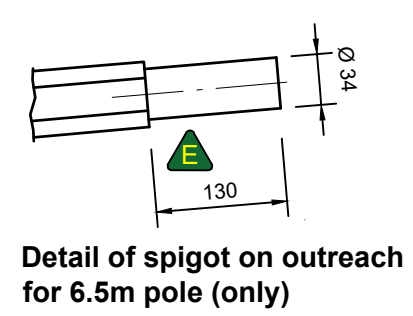
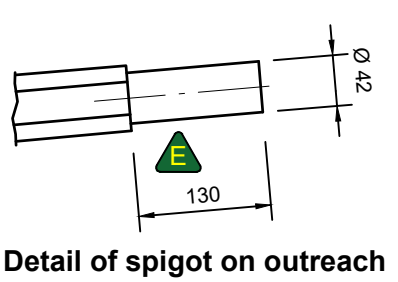
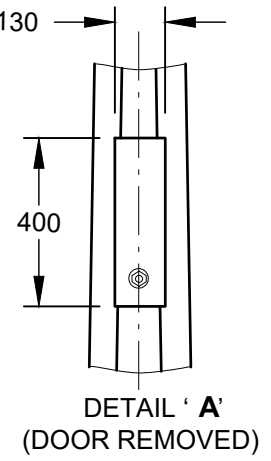
Supply Item	Colour
WA4511	Black
WA4512*	Green

POLE AND OUTREACH COMBINATIONS (Ref only - Items to be supplied separately)								
Pole	2.0 Metre Outreach Arm	Total Height from GL	3.0 Metre Outreach Arm	Total Height from GL	4.5 Metre Outreach Arm	Total Height from GL	3.0 Metre Decorative Outreach	Total Height from GL
WA4103	WA4500	9150	WA4503	9310	WA4506*	9450	-	9250
WA4104	WA4501		WA4504		WA4507*		WA4511	
WA4105*	WA4502*		WA4505*		WA4508*		WA4512*	
WA4109	WA4500	10800	WA4503	10960	WA4506*	11100	-	10900
WA4110	WA4501		WA4504		WA4507*		WA4511	
WA4111*	WA4502*		WA4505*		WA4508*		WA4512*	



Supply Item	Colour
WA4103	Galvanized
WA4104	Black
WA4105*	Green

Supply Item	Colour
WA4109	Galvanized
WA4110	Black
WA4111*	Green



NOTE: Refer to drawing WA4XXX sheet 1 for 'General Notes' and applicable details.
* Denotes for maintenance only

6.5m Pole	
Supply Item	Colour
WA4016	Galvanized
WA4101	Black
WA4102*	Green

6.5m Modern Pole	
Supply Item	Colour
WA4017	Black

REV	DETAILS OF REVISION	DRN	TECH	WHS	AUTH	DATE	DATE
E	Pole added, 2 holes Dia12 deleted from spigot, 100 was 130	P.M	B.N	A.M	M.N	17-12-21	DRN
D	Pole/outreach dims updated, access holes moved to side of pole	-	B.N	M.T	M.N	12-07-19	TECH APPR
C	For maintenance items added, dimensions updated	AG	BN	AF	JA	04/16	WHS APPR
B	Height dimensions changed	RAH	MB	BM	RD	01/04	AUTH
A	Joint shown on poles, height dimensions changed	RAH	KJH	BM	RD	10/02	AUTH
		DRN	TECH	WHS	AUTH	DATE	DATE

© SA Power Networks
Use of these drawings must be strictly in accordance with the terms and conditions agreed with SA Power Networks

POLE - PUBLIC LIGHTING
6.5, 9.0 & 10.5m ABOVE GROUND, OUTREACH TYPE, RIGID, TAPERED, UNWIRED

SCALE: NTS A3

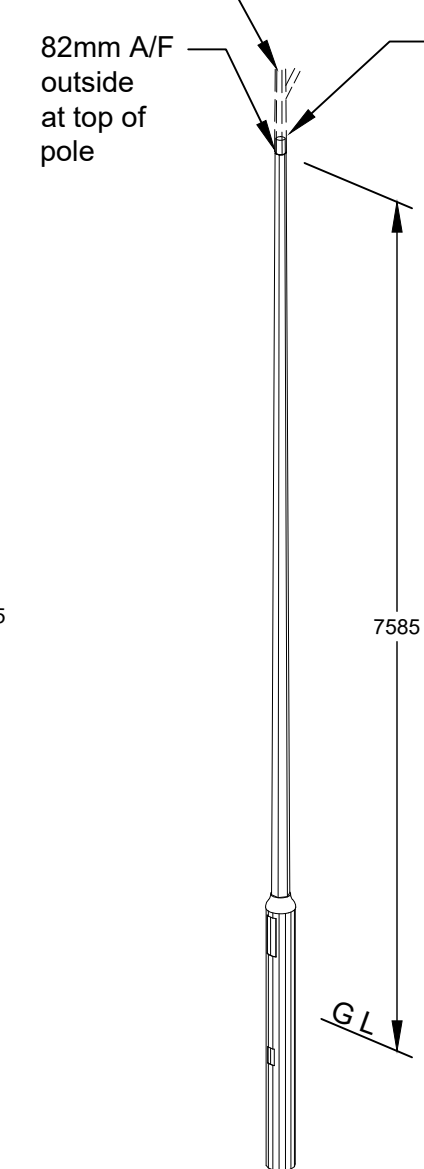
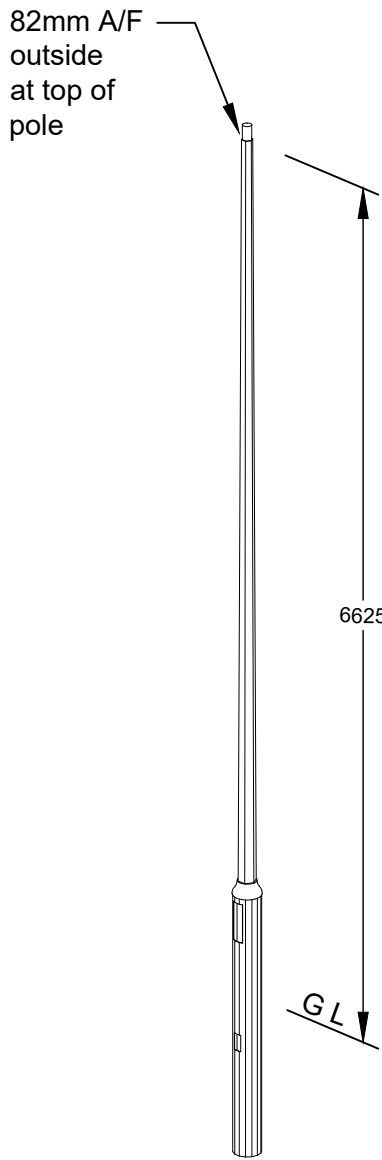
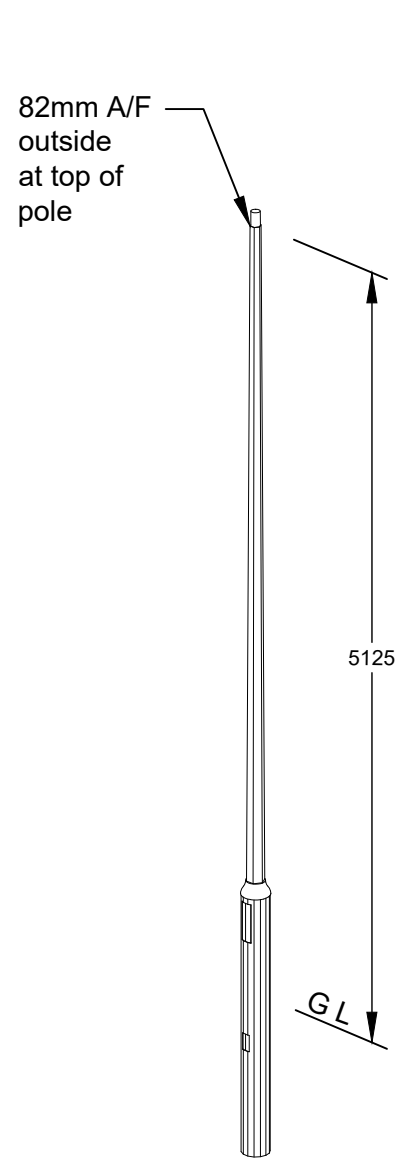
DRAWING NUMBER: 184 / WA4XXX

JOB: NST-3232

SHEET: 2

REV: E

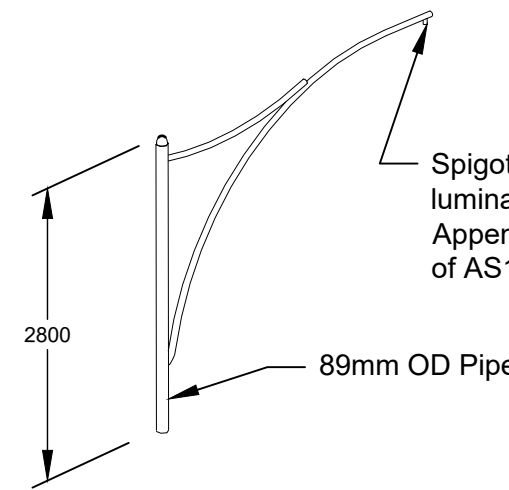
WARNING: Printed copies of this document ARE DEEMED UNCONTROLLED. The most up-to-date version is located on the intranet/internet.



Spigot for top entry luminaire as per Appendix C/Fig C1 of AS1798.

3000mm DOUBLE OUTREACH

Supply Item	Colour
WA4117	Black
WA4118*	Green



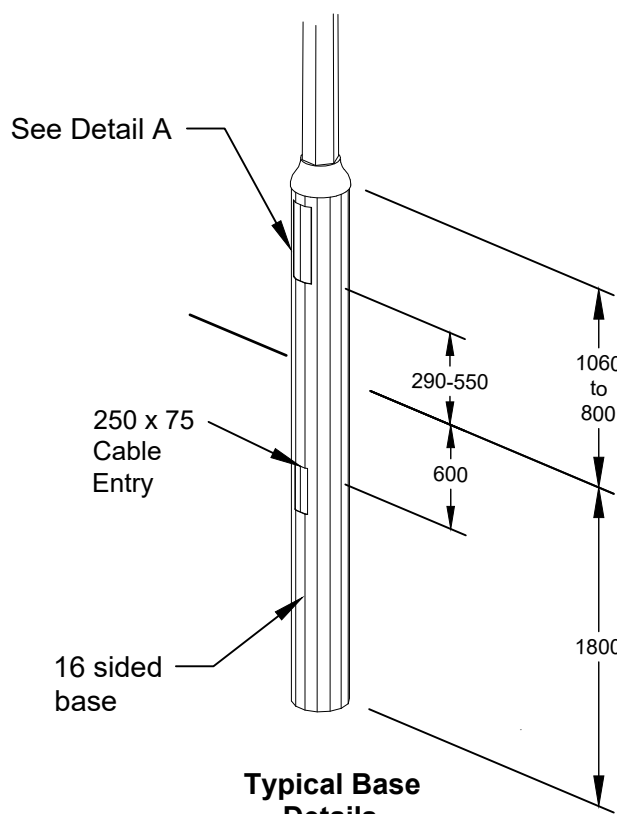
3000mm OUTREACH

Supply Item	Colour
WA4115	Black
WA4116*	Green

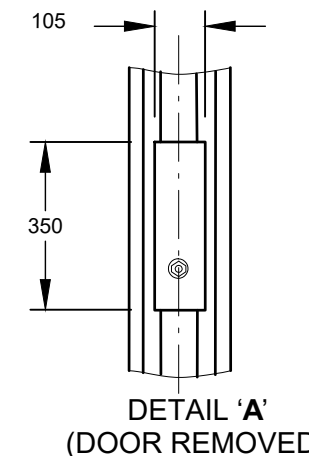
Spigot for top entry luminaire as per Appendix C/Fig C1 of AS1798.

POLE & OUTREACH COMBINATIONS

Pole	Outreach	Double Outreach	Total Height from GL to bottom of lantern
WA4053	WA4115	WA4117	7500mm
WA4054*	WA4116*	WA4118*	
WA4055	WA4115	WA4117	9025mm
WA4056*	WA4116*	WA4118*	9985mm
WA4051	WA4115	WA4117	
WA4052*	WA4116*	WA4118*	



Typical Base Details



DETAIL 'A' (DOOR REMOVED)

Supply Item	Colour
WA4053	Black
WA4054*	Green

Supply Item	Colour
WA4055	Black
WA4056*	Green

Supply Item	Colour
WA4051	Black
WA4052*	Green

NOTE: Refer to drawing WA4XXX sheet 1 for 'General Notes' and applicable details.
* Denotes for maintenance only

REV	DETAILS OF REVISION	DRN	TECH	WHS	AUTH	DATE
D	Ref to AS1798 was AS1158, Dim 2800 added	P.M	B.N	A.M	M.N	17-12-21
C	Spike deleted from top of outreach	PMc	BN	AF	JA	09/16
B	For maintenance items & double outreaches added	AG	BN	AF	JA	04/16
A	Aperture details modified. Outreach item nos. changed	RAH	KJH	BM	RD	10/02

DRN	Bob Henley
TECH APPR	M Lewandowski
WHS APPR	Bob Henley
AUTH	R Darley
DATE	7/2000

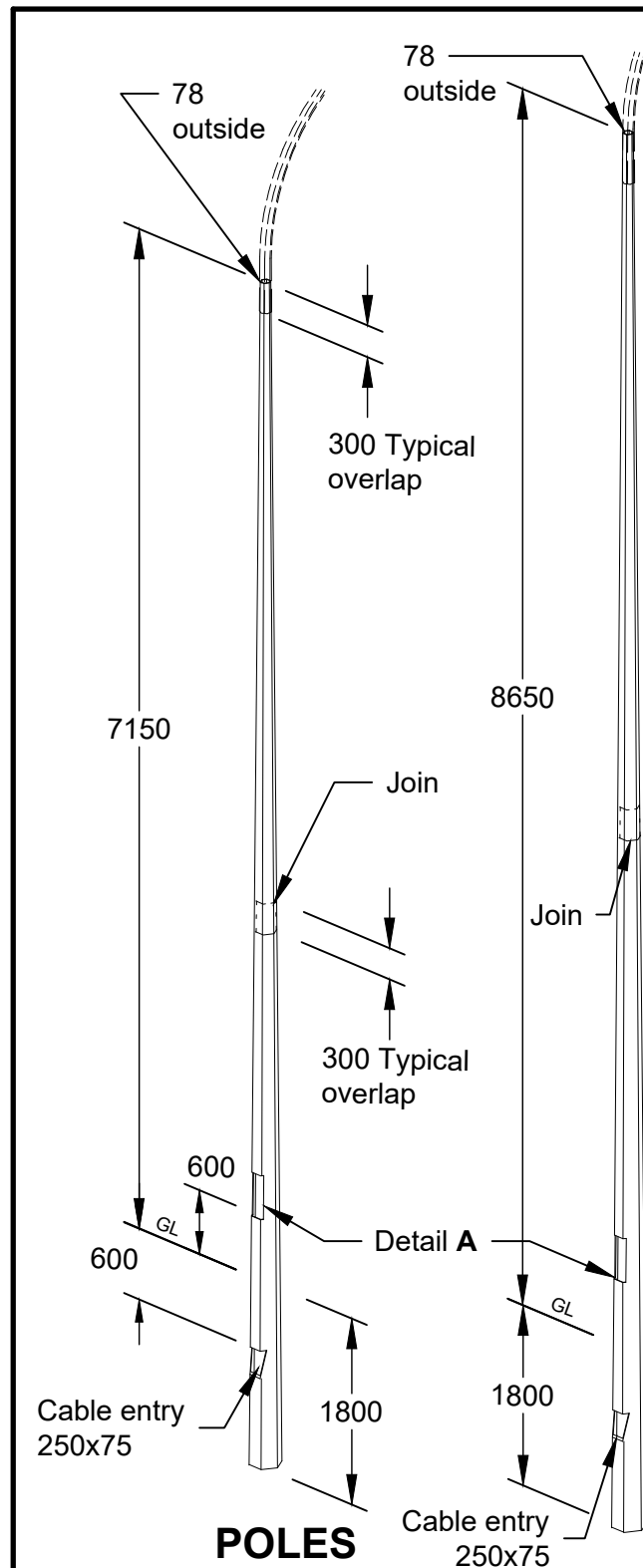
© SA Power Networks
Use of these drawings must be strictly in accordance with the terms and conditions agreed with SA Power Networks

POLE - PUBLIC LIGHTING
7.5, 9.0 & 10m ABOVE GROUND, DECORATIVE
OUTREACH, RIGID, UNWIRED

DRAWING NUMBER
184 / WA4XXX

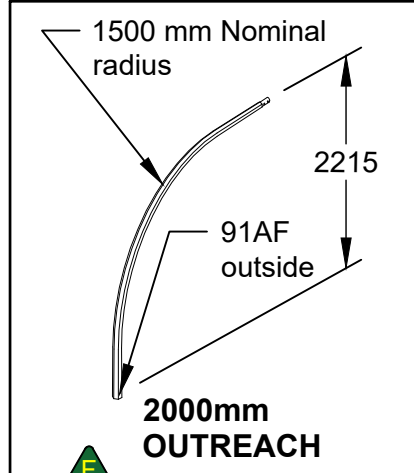
JOB 39416
SHEET 3
REV D

SCALE NTS A3

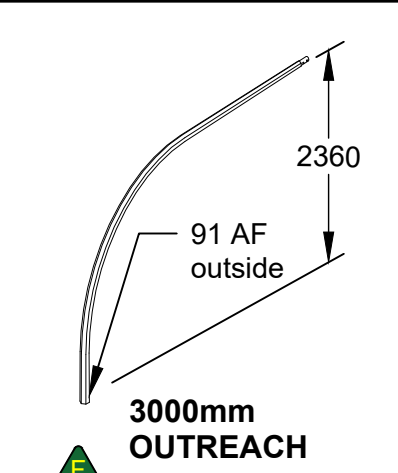


Supply Item	Colour	Supply Item	Colour
WA4106	Galvanized	WA4112	Galvanized
WA4107	Black	WA4113	Black
WA4108*	Green	WA4114*	Green

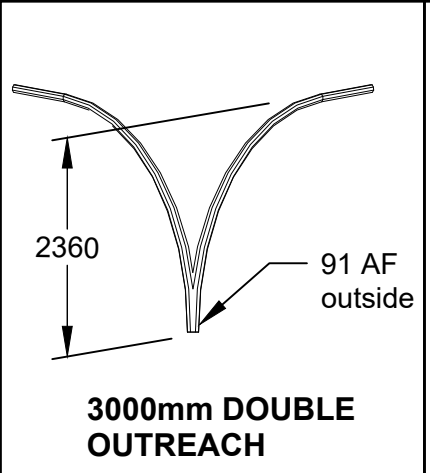
STANDARD OUTREACHES



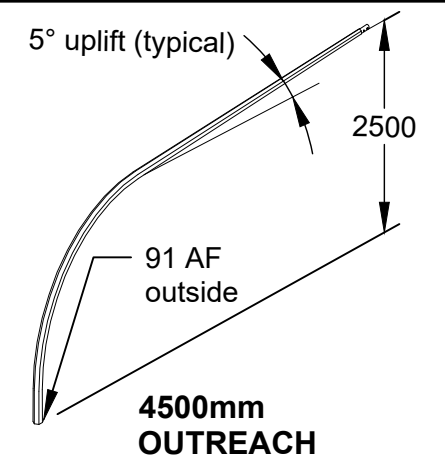
Supply Item	Colour
WA4513	Galv.
WA4514	Black
WA4515*	Green



Supply Item	Colour
WA4516	Galv.
WA4517	Black
WA4518*	Green

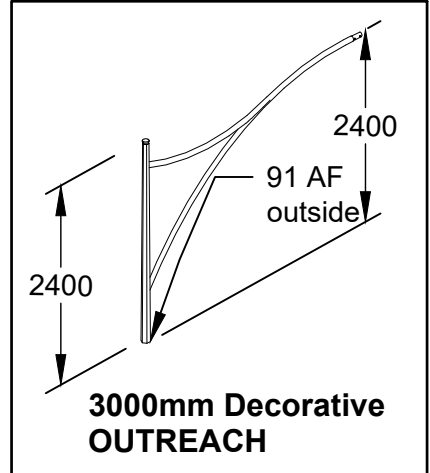


Supply Item	Colour
WA4522	Galv.
WA4524	Black
WA4523*	Green

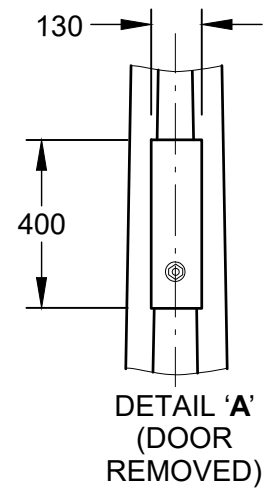


Supply Item	Colour
WA4519*	Galv.
WA4520*	Black
WA4521*	Green

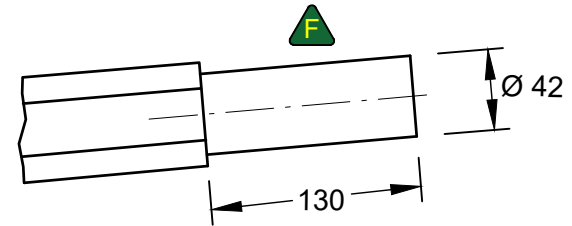
DECORATIVE OUTREACH



Supply Item	Colour
WA4509	Black
WA4510*	Green



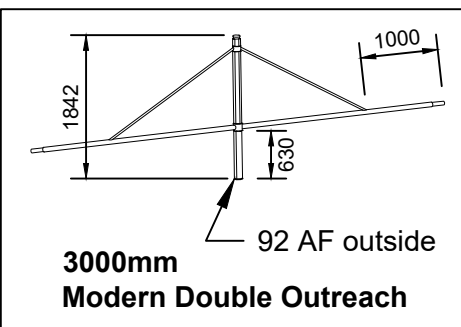
DETAIL 'A'
(DOOR REMOVED)



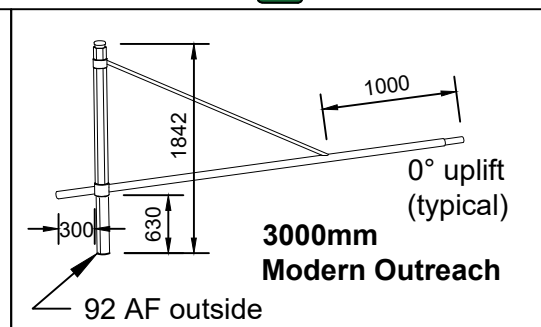
Detail of spigot on outreach

NOTE: Refer to drawing WA4XXX sheet 1 for 'General Notes' and applicable details.
* Denotes for maintenance only

MODERN OUTREACHES



Supply Item	Colour
WA4530	Black



Supply Item	Colour
WA4531	Black

POLE AND OUTREACH COMBINATIONS (Ref only - Items to be supplied separately)

Pole	2.0 Metre Outreach Arm	Total Height from GL	3.0 Metre Outreach Arm	Total Height from GL	3.0 Metre Double Outreach	Total Height from GL	4.5 Metre Outreach Arm	Total Height from GL	3.0 Metre Decor. Outreach	Total Height from GL	3.0m Decor. Modern Outreach	Total Height from GL	3.0m Decor. Double Modern Outreach	Total Height from GL
WA4106	WA4500	9050	WA4503	9210	WA4522	9210	WA4519*	9350	-	9250	-	9000	-	9000
WA4107	WA4501		WA4504		WA4523*		WA4520*		WA4509		-			
WA4108*	WA4502*		WA4505*		WA4524		WA4521*		WA4510*		-			
WA4112	WA4500	10550	WA4503	10710	WA4522	10710	WA4519*	10850	-	10750	-	9000	-	9000
WA4113	WA4501		WA4504		WA4523*		WA4520*		WA4509		WA4531			
WA4114*	WA4502*		WA4505*		WA4524		WA4521*		WA4510*		-			

REV	DETAILS OF REVISION	DRN	TECH	WHS	AUTH	DATE	DATE
E	WA4500 to WA4505 was WA4513 to WA4518. Pole/Outreach dims updated	P.M	B.N	A.M	M.N	17-12-21	DRN
D	50 was 75, Join detail added	PMc	BN	AF	JA	09/16	TECH APPR
C	For maintenance items & double outreaches added	AG	BN	AF	JA	04/16	WHS APPR
B	Height dimension changed for 4.5 m outreach	RAH	MB	BM	RD	01/04	AUTH
A	12 deleted from spigot, 6 x supply item numbers updated, Modern Outreaches added	-	-	-	-	-	AUTH
		DRN	TECH	WHS	AUTH	DATE	DATE

© SA Power Networks
Use of these drawings must be strictly in accordance with the terms and conditions agreed with SA Power Networks

POLE - PUBLIC LIGHTING
9.0 & 10.5m ABOVE GROUND, OUTREACH TYPE, IMPACT ABSORBENT, TAPERED, UNWIRED

SCALE: NTS A3

DRAWING NUMBER: 184 / WA4XXX

JOB: NST-3232

SHEET: 4

REV: F

WARNING: Printed copies of this document ARE DEEMED UNCONTROLLED. The most up-to-date version is located on the intranet/internet.