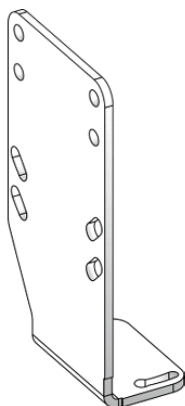


# XUZASK003

accessory for sensor - XUK - fixing bracket - metal -  
for XUL substitution



## Main

Range of product	OsiSense XU
Accessory / separate part category	Mounting and fixing accessory
Accessory / separate part type	Fixing bracket
Product or component type	Fixing bracket
Accessory / separate part destination	50 x 50 mm compact sensor
Material	Metal

## Complementary

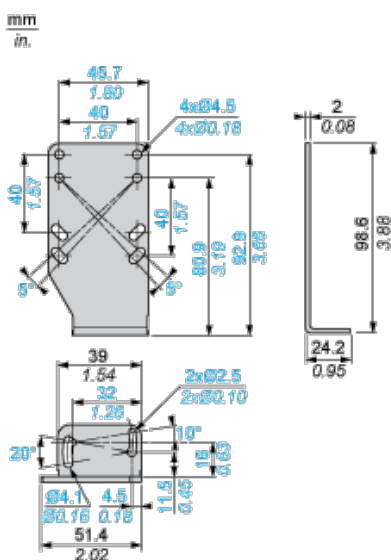
Product compatibility	XUK
Product weight	0.05 kg

## Environment

## Offer Sustainability

Sustainable offer status	Not Green Premium product
RoHS (date code: YYWW)	Compliant - since 1701 - Schneider Electric declaration of conformity
REACH	Reference not containing SVHC above the threshold

## Dimensions



The information provided in this documentation contains general descriptions and/or technical characteristics of the products contained herein. This documentation is not intended as a substitute for and is not to be used for determining suitability or reliability of these products for specific user applications. It is the duty of any such user or integrator to perform the appropriate and complete risk analysis, evaluation and testing of the products with respect to the relevant specific application or use thereof. Neither Schneider Electric Industries SAS nor any of its affiliates or subsidiaries shall be responsible or liable for misuse of the information contained herein.