



Main

Range of product	Modicon M171
Product or component type	Display module
Display colour	Monochrome
Supply	External source

Complementary

Display type	LCD screen
Number of key	8
Colour	Grey
[Us] rated supply voltage	12 V DC
Power consumption in W	5 W 0 W
Marking	CE
Realtime clock	With realtime clock
Local signalling	LCD display
Product compatibility	Logic controller M171 optimized
Height	160 mm
Width	96 mm
Depth	10 mm
Product weight	0.017 kg

Environment

standards	RoHS compliant
product certifications	CURus REACH
IP degree of protection	IP40 on front face

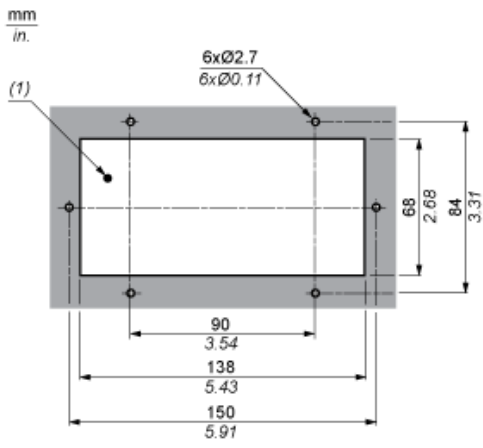
Offer Sustainability

Sustainable offer status	Not Green Premium product
RoHS (date code: YYWW)	Compliant - since 1427 - Schneider Electric declaration of conformity
REACH	Reference contains SVHC above the threshold

Mounting and Clearance

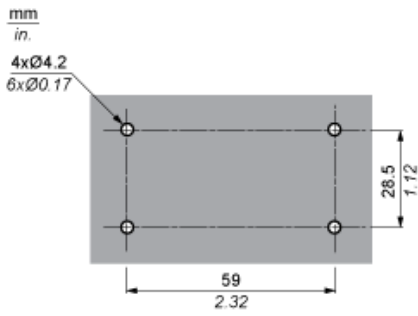
Panel Mounting

The information provided in this documentation contains general descriptions and/or technical characteristics of the products contained herein. This documentation is not intended as a substitute for and is not to be used for determining suitability or reliability of these products for specific user applications. It is the duty of any such user or integrator to perform the appropriate and complete risk analysis, evaluation and testing of the products with respect to the relevant specific application or use thereof. Neither Schneider Electric Industries SAS nor any of its affiliates or subsidiaries shall be responsible or liable for misuse of the information contained herein.

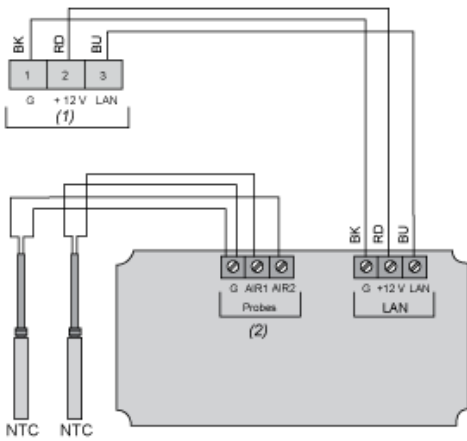


(1) Panel cut out

Wall Mounting



Wiring Diagram



(1) LAN Expansion bus

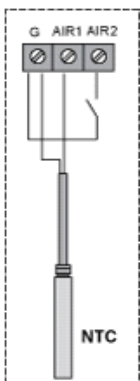
(2) Analogue Inputs

RD : Red

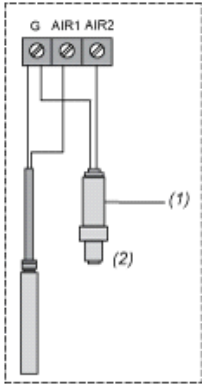
BU : Blue

BK : Black

Example NTC and Digital Input



Ex.Transducer



- (1) Power supply
- (2) Example Transducer