

RAIL



HOP RAIL

Material: Anodized Aluminum 6005-T5

Color: Natural Or Customized

Item No.	Description
HOP-R-2560	HOP Rail with a standard length of 2560 mm Designed to mount 3 modules (width 808~826mm)
HOP-R-3405	HOP Rail with a standard length of 3405 mm Designed to mount 4 modules (width 808~826mm)
HOP-R-4200	HOP Rail with a standard length of 4200 mm Designed to mount 4 modules (width 990~996mm)
HOP-R-4400	HOP Rail with a standard length of 4400 mm Designed to mount 4 modules (width 1060~1065mm)
Customized Length	
HOP-Rail	Rail with standard length

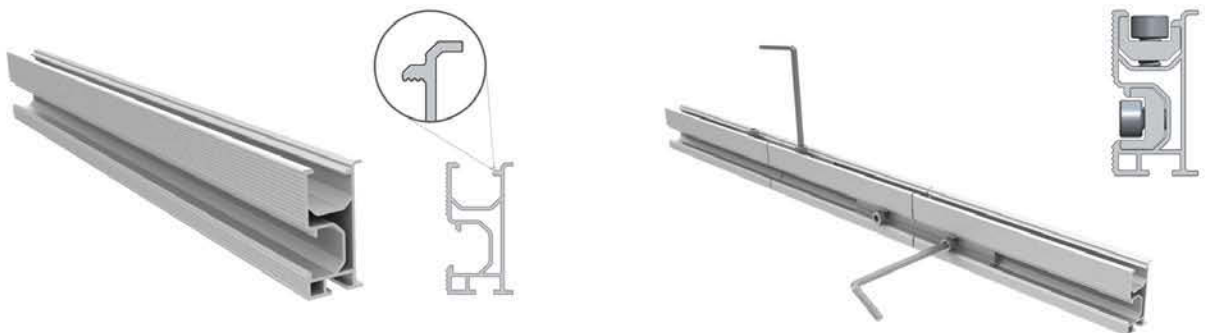


HOP RAIL SPLICE KIT

Material: Anodized Aluminum 6005-T5 & A2-70 Bolt

Item No.	Description
HOP-R-SPK	HOP standard splice kit connect two piece of rails

HOP-R-SPK



HOP-Rail

