

BLADE G2 EXIT LIGHT



PRODUCT DETAILS:

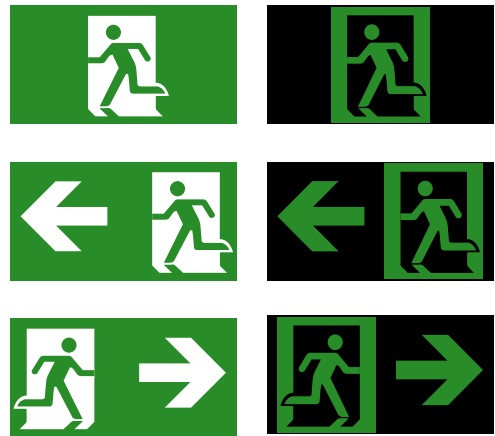
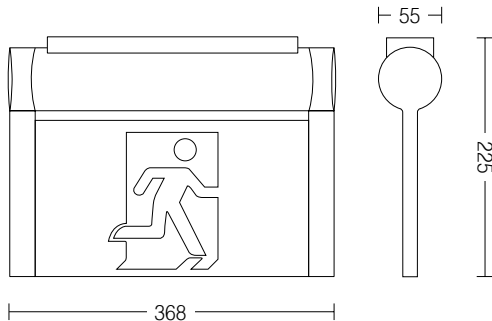
- Viewing distance: 24m
- Rated life: L70/B50 50000hrs
- Driver: Integral
- Rating: IP20, Class II
- Operating temperature: 0°C to +40°C
- Housing: Polycarbonate, Complete with all pictogram inserts
- Finishing: White/Black
- Emergency: Maintained, Replaceable lithium iron phosphate (LiFeP04) battery, 18 months shelf life, Manual test
- Certification: Compliant to AS/NZS2293
- Connection/Installation: Suitable for both single sided and double sided applications, Suitable for installation on angled surfaces with swivel panel
- Warranty: 5 years on fixture and lamp, 4 years on the battery

MADE TO ORDER OPTIONS:

Recessed kit, Suspension kit, IP65 Aqualock enclosure, DALI

APPLICATIONS:

Surface mount/Recessed/Suspended, Internal
Commercial, Schools, Retail, Hospitality, Apartments, Theatres and Cinemas



CODE	DESCRIPTION	POWER [~]	LUMENS [*]	EFFICACY	WEIGHT
LEDXM2P-L	5W MAINTAINED WHITE EMGY MODE	5W 1W	30lm	30lm/W	0.9kg
LEDXM2PB-L	5W MAINTAINED BLACK EMGY MODE	5W 1W	30lm	30lm/W	0.9kg
LEDRB	RECESSED KIT (CUT-OUT 380X88MM)				
SKITLED	WIRE SUSPENSION KIT				
RODSUSP/TLSP	ROD SUSPENSION KIT				
AQUALOCK-W	IP65 AQUALOCK ENCLOSURE				

*Delivered lumens from luminaire, including thermal, electrical and optic losses. [~]Tested system powers from luminaire.