



# Clipsal Wilco ROWCO Metal Clad Switchgear 240/415 ~ WMB, WMS and WMC

## Installation Instructions

### For your safety

#### DANGER

#### HAZARD OF ELECTRIC SHOCK, EXPLOSION OR ARC FLASH

- This product must only be installed and serviced by appropriate qualified and/or licensed electrical personnel.
- Isolate the electrical supply before doing any work on this product.
- Ensure that the product had been correctly installed and tested for safe operation before reconnecting the electrical supply.
- Ensure continuity of the earth is maintained throughout the installation.
- All metal parts must be earthed according to AS/NZS3000 wiring regulations.

**Failure to follow these instructions will result in death or serious injury.**

#### CAUTION

#### EQUIPMENT INSTALLATION HAZARD

- Verify that all installation and set up procedures have been completed.
- All conduit entry points and mounting holes must be sealed to ensure the IP66 Rating is maintained.
- Suitable silicone sealants include: Dow Corning 732, 739 and 1080, Ramset RC804 and RBC833, Selleys Roof and Gutter Sealant
- Internal plastic parts may fail if incorrect silicone sealants are used.
- Torque levels for fixing of cover screws should be set between 0.8Nm - 1.2Nm.
- Terminal screws may have loosened during transit and should be checked for tightness before completing installation.

**Failure to follow these instructions can result in injury or equipment damage.**

#### NOTICE

#### EQUIPMENT DAMAGE HAZARD

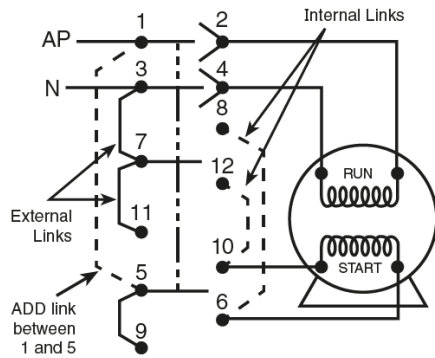
- If installing this product in an area defined in AS 2312 as Category C5, it is recommended to install a suitable non-metallic washer between any screws and the painted surface of the product, to provide additional protection from corrosion. This includes the cover screws and any mounting screws.
- Coating the thread of the cover screws with Tef-Gel™ lubricant or equivalent anti-corrosion product prior to installation, may also provide additional protection.
- Care should be taken to avoid damage to the painted surface when installing the product.
- It is recommended the products should be cleaned regularly to avoid build-up of contaminants.

**Failure to follow these instructions can result in equipment damage.**

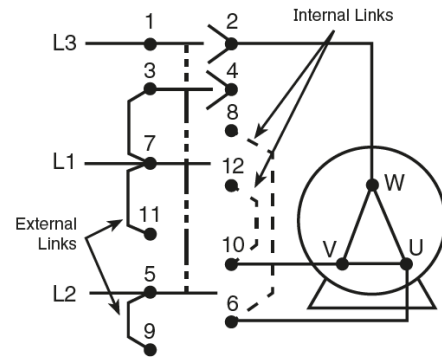


## Wiring Diagrams for WMS320R & WMS332R

### Single Phase Reversing

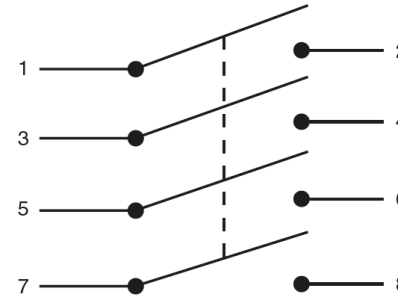


### Three Phase Reversing

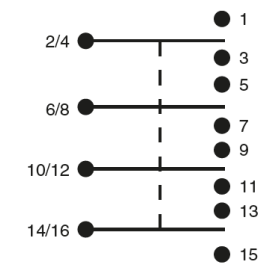


## Wiring Diagrams for WMC and WMS

### 1-4P OFF/ON

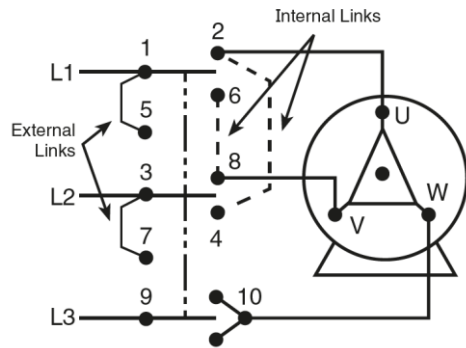


### 1-4P CHANGEOVER



## Wiring Diagram for WMS363R

### Three Phase Reversing

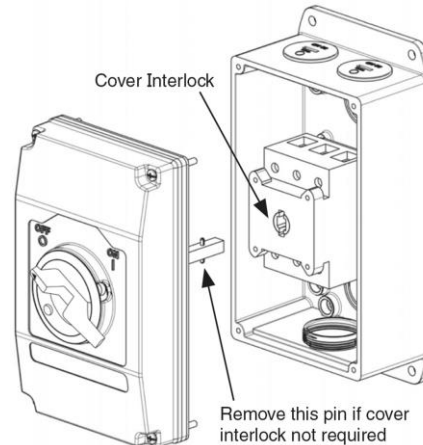


## Cover Interlock

All base mounted switches are fitted with an optional cover interlock to prevent the removal of the cover when the switch is turned on.

**Turn off and isolate the switch before removing the cover.**

If the cover interlock is not required, remove the pin in the actuating shaft.



## Customer Care

**Schneider Electric (Australia) Pty Ltd**

33-37 Port Wakefield Road, Gepps Cross SA 5094

Customer Care: 13 73 28

Email: [customercare.au@se.com](mailto:customercare.au@se.com)

[www.clipsal.com](http://www.clipsal.com).



Schneider Electric reserves the right to change specifications, modify designs and discontinue items without incurring obligation and whilst every effort is made to ensure that descriptions, specifications and other information in these instructions are correct, no warranty is given in respect thereof and the company shall not be liable for any error therein.

© Schneider Electric 2020

This material is copyright under Australian and international laws. Except as permitted under the relevant law, no part of this work may be reproduced by any process without prior written permission of and acknowledgment to Schneider Electric.