

## ZB5AZ023

Plastic flush mounting kit for legend 8x27 pushbutton and pilot light



### Main

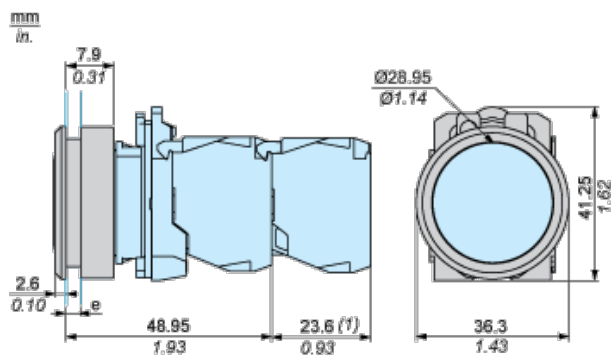
Range of product	Harmony XB5
Product or component type	Flush mounting kit
Accessory / separate part category	Mounting and fixing accessory
Product compatibility	ZB5AA ZB5AL ZB5AH ZB5AV XB5EV XB7NA XB7NL XB7EV XB7ND XB7NG XB7NJ XB7NW
Accessory / separate part destination	Pilot light Push-button

### Complementary

Colour	Black
IP degree of protection	IP66 (front face) conforming to IEC 60529 IP69 (front face) conforming to IEC 60529 IP69K (front face) conforming to DIN 40050-9
IK degree of protection	IK03 IEC 50102
Mounting diameter	30.5 mm
Quantity per set	Set of 1
Product weight	0.007 kg

### Environment

### Dimensions with Flush Mounting Kit



e : Clamping thickness : 1 to 3.5 mm / 0.04 to 0.14 in.

(1) Additional row of contacts or double contact

### Panel Cut-Out and Mounting

#### Panel Cut Dimensions

mm  
in.

