

ZB5AZ024

Plastic flush mounting kit for legend 8x27 selector switch and ill.pushbutton



Main

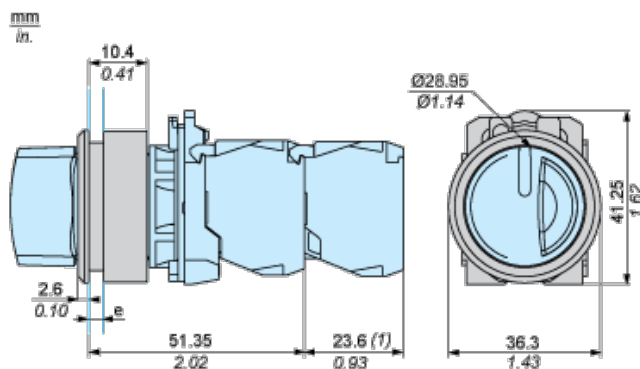
Range of product	Harmony XB5
Product or component type	Flush mounting kit
Accessory / separate part category	Mounting and fixing accessory
Product compatibility	ZB5AW ZB5AA.6 ZB5AH..3 ZB5AD ZB5AD.8 ZB5AD.9 ZB5AK ZB5AJ ZB5RZA0 ZB5RTA
Accessory / separate part destination	Selector switch with high bezel Illuminated push-button with high bezel

Complementary

Colour	Black
IP degree of protection	IP66 (front face) conforming to IEC 60529 IP69 (front face) conforming to IEC 60529 IP69K (front face) conforming to DIN 40050-9
IK degree of protection	IK03 IEC 50102
Mounting diameter	30.5 mm
Quantity per set	Set of 1
Product weight	0.008 kg

Environment

Dimensions with Flush Mounting Kit



e : Clamping thickness : 1 to 3.5 mm / 0.04 to 0.14 in.

(1) Additional row of contacts or double contact

Panel Cut-Out and Mounting

Panel Cut Dimensions

mm
in.

