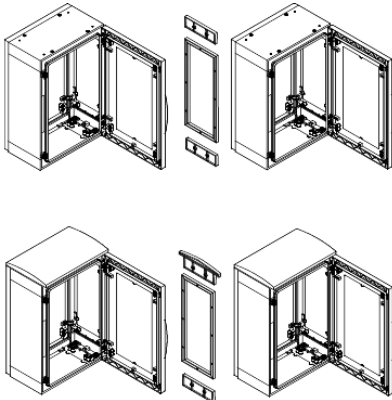


NSYSUPLA4G

Additional aesthetic trim kit for coupling versPLA or
PLAZ without canopy D420mm



Main

Range	Thalassa
Accessory / separate part category	Coupling accessory
Product or component type	Coupling trim frame
Device application	Multi-purpose
Mounting location	Side coupling of 2 enclosures
Range compatibility	Thalassa Thalassa PLA suitable enclosure
Device composition	2 trim frame

Complementary

Material	Polyester for frame
Depth	420 mm
IP degree of protection	IP55
Colour	Grey RAL 7035

Environment

Offer Sustainability

Sustainable offer status	Green Premium product
RoHS (date code: YYWW)	Compliant - since 1511 - Schneider Electric declaration of conformity
REACH	Reference not containing SVHC above the threshold
Product environmental profile	Available
Product end of life instructions	Need no specific recycling operations

The information provided in this documentation contains general descriptions and/or technical characteristics of the products contained herein. This documentation is not intended as a substitute for and is not to be used for determining suitability or reliability of these products for specific user applications. It is the duty of any such user or integrator to perform the appropriate and complete risk analysis, evaluation and testing of the products with respect to the relevant specific application or use thereof. Neither Schneider Electric Industries SAS nor any of its affiliates or subsidiaries shall be responsible or liable for misuse of the information contained herein.