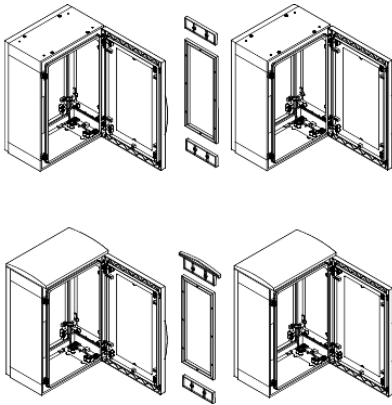


## NSYMUPLA74G

Horizontal coupling kit for PLA enclosure H750xD420 mm - IP55coupling



### Main

Range	Thalassa
Accessory / separate part category	Coupling accessory
Product or component type	Coupling frame
Device application	Multi-purpose
Mounting location	Side coupling of 2 enclosures
Range compatibility	Thalassa Thalassa PLA suitable enclosure Thalassa Thalassa PHD suitable enclosure
Device composition	Fixing elements 1 frame

### Complementary

Material	Polyester for frame
Height	Nominal : 750 mm
Depth	420 mm
IP degree of protection	IP55
Colour	Grey RAL 7035

### Environment

### Offer Sustainability

Sustainable offer status	Not Green Premium product
RoHS (date code: YYWW)	Compliant - since 1511 - Schneider Electric declaration of conformity