

# INTERNAL CEILING GRILLES - TYPES ALG, DJG & ILG

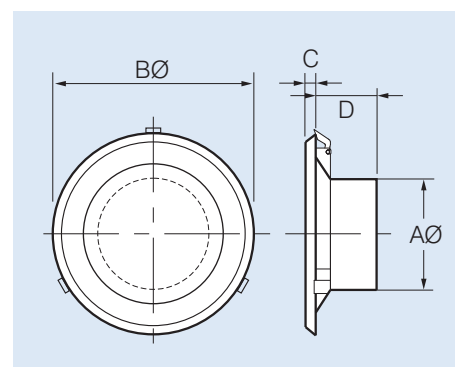
## TYPE ALG



ALG grilles are designed for ceiling mounting in exhaust applications. The grilles incorporate an adjustable air valve.

Model	Dimensions, mm				Hole
ALG...	AØ*	BØ	C	D	Cutout Ø
150	150	260	16	90	232
200	200	315	16	95	282
250	250	390	16	100	355
300	300	440	16	100	405

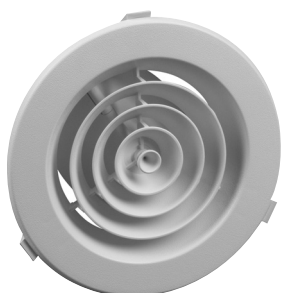
\*Nominal duct diameter



Scan the QR Code to view more information online.



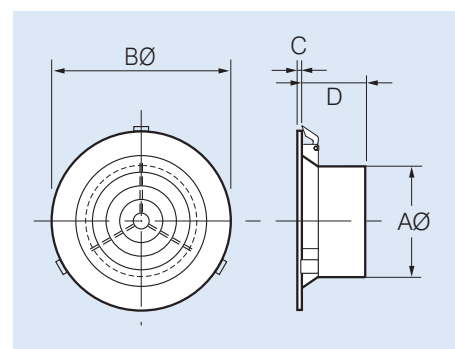
## TYPE DJG



DJG downjet grilles are designed for ceiling exhaust or supply air applications. The grilles incorporate an adjustable air damper and removable grille for easy cleaning.

Model	Dimensions, mm				Hole
DJG...	AØ*	BØ	C	D	Cutout Ø
150	150	240	5	95	206
200	200	290	5	105	256

\*Nominal duct diameter



Scan the QR Code to view more information online.



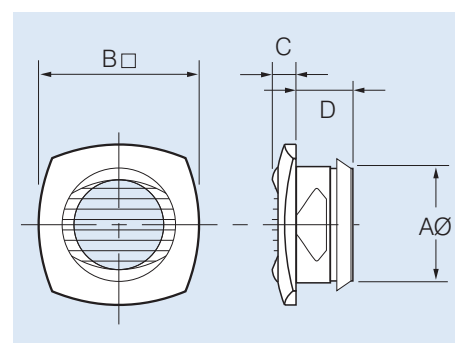
## TYPE ILG



ILG grilles are designed for small ceiling exhaust and supply air applications using 125mm duct.

Model	Dimensions, mm				Hole
ILG...	AØ*	B□	C	D	Cutout Ø
125	125	170	26	60	130

\*Nominal duct diameter



Scan the QR Code to view more information online.

