

# Catalogue No: **CPL-72M250-G**

## C/PLUS PBOARD DIN-T 72W 250A MSW 6M-1296mm GREY

Power Distribution and Protection > Distribution Boards > Panelboards > CONCEPT PLUS Panelboard > Concept Plus Panelboard CPL > Grey - Mild Steel



CONCEPT PLUS Panelboard, IP42, DIN-T 72-Way 250 A NC Chassis, 250 A Isolator Main Switch, 6M-1296 mm, Storm Grey (N42)

- Standard AS/NZS 61439-3
- Partial type tested busbar system
- Option - Compact 160 A or 250 A main switch
- Option - Isolator or circuit breaker main switch
- Modular sizes up to 96-Way
- Knockouts for up to 18 modules DIN equipment
- Accessory modules
- Removable gland plates
- Door fitted independent of escutcheon
- Right hand door hinging
- Semi flush door swing handle
- IP42 (option IP52)
- Chassis tee-off isolator option

Representative Photo Only  
(actual product may vary based on configuration selections)

### SPECIFICATIONS

|  |                                |
|--|--------------------------------|
| Product Series                                 | Concept Plus                   |
| Component Type Power Distribution & Protection | Panelboard                     |
| Chassis Type                                   | Encapsulated                   |
| IP Rating                                      | IP42                           |
| IP rating, with door                           | IP42                           |
| IP rating, without door                        | IP30                           |
| Number of Poles                                | 72                             |
| Box Size                                       | 6                              |
| Number of Modules                              | 6 qty                          |
| Height   | 1296 mm                        |
| Depth, Including Door                          | 200 mm, incl door              |
| Depth, Door                                    | 20 mm depth                    |
| MCB Type                                       | DIN Profile                    |
| Main Switch Type                               | Isolator Main Switch           |
| In, Rated Current, Main Switch                 | 250 A                          |
| Product series, chassis                        | NC                             |
| In, rated current, busbar                      | 250 A                          |
| Icw, Busbar Withstand Current, 100ms (rms)     | 25 kA for 100ms                |
| Segregation Form Rating                        | 1                              |
| Material                                       | Powder Coated Mild Steel       |
| Material Thickness                             | 1.6 mm                         |
| Material, Base                                 | Mild Steel                     |
| Material Thickness, Base                       | 1.6 mm                         |
| Finish, Base                                   | Powder Coated (Polyester) base |
| Colour, Base                                   | Storm Grey (N42) base          |
| Material, door                                 | Mild Steel                     |
| Material thickness, door                       | 1.6 mm                         |
| Finish, Door                                   | Powder Coated (Polyester) door |

# Catalogue No: **CPL-72M250-G**

## C/PLUS PBOARD DIN-T 72W 250A MSW 6M-1296mm GREY

Power Distribution and Protection > Distribution Boards > Panelboards > CONCEPT PLUS Panelboard > Concept Plus Panelboard CPL > Grey - Mild Steel



|   |   |
|---|---|
| Colour, Door                                | Storm Grey (N42) door   |
| Door Handle Type                            | Semi flush keyed CL001 quarter turn   |
| Door hinged independent escutcheon          | Yes, from RH side standard  |
| Escutcheon                                  | Bright white gloss hinged RH side   |
| Material, Escutcheon                        | Mild Steel  |
| Material Thickness, Escutcheon              | 1.2 mm  |
| Finish, Escutcheon                          | Powder Coated (Polyester) escutcheon  |
| Colour, Escutcheon                          | White escutcheon  |
| Gland Plate/End Cap                         | Removable 1.6 mm mild steel, top/bottom   |
| Spare DIN rail space (free poles)           | 18  |
| Earth and Neutral bar Rating                | 250 A Bar, 2 screw tunnel terminals (M8 studs top and bottom, spare 1 x 25 mm + 1 x 16 mm, 2 x 25 mm tunnel terminals and remainder 2 screw 16 mm tunnel terminals) |
| Ue, rated operational voltage, AC, 1ph, nom | 240 V AC  |
| Ue, rated operational voltage, AC, 3ph, nom | 415 V AC  |
| Width                                       | 600 mm  |
| Standards Compliance                        | AS/NZS 61439.3  |

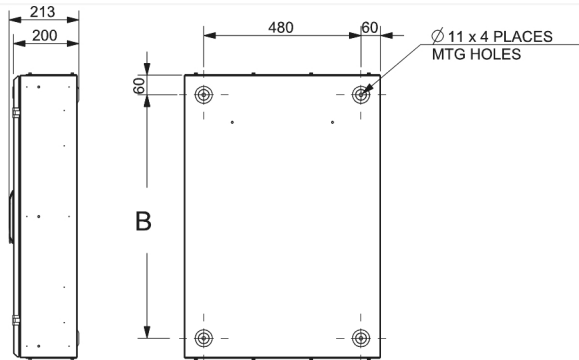
### REFERENCES

|   |   |
|---|---|
| IECEX Certificate                           | - |
| Supplier Declaration of Conformity:         | - |
| Installation Guide:                         | - |
| User Manual:                                | - |
| Manufacturer Datasheet:                     | - |
| Manufacturer Catalogue & Product Selection: | - |

# Catalogue No: **CPL-72M250-G**

## C/PLUS PBOARD DIN-T 72W 250A MSW 6M-1296mm GREY

Power Distribution and Protection > Distribution Boards > Panelboards > CONCEPT PLUS Panelboard > Concept Plus Panelboard CPL > Grey - Mild Steel



| Module Size | A      | B      |
|-------------|--------|--------|
| 2           | 432mm  | 312mm  |
| 3           | 648mm  | 528mm  |
| 4           | 864mm  | 744mm  |
| 5           | 1080mm | 960mm  |
| 6           | 1296mm | 1176mm |
| 7           | 1512mm | 1392mm |
| 8           | 1728mm | 1608mm |
| 9           | 1944mm | 1824mm |

Plan view



Dimension Diagram