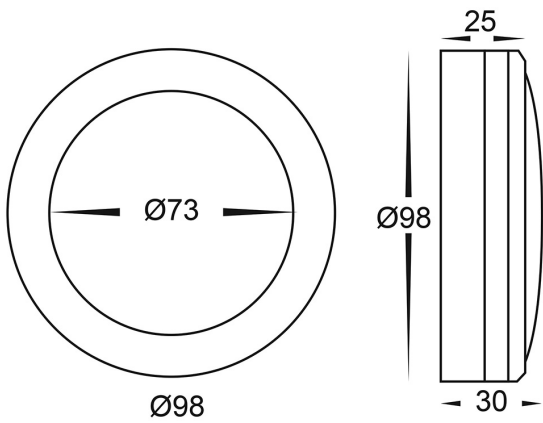


## PRODUCT SPECIFICATIONS

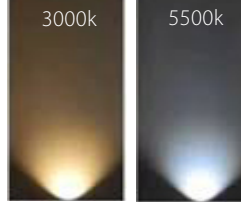
**Name:** Nava  
**Material:** Aluminium  
**Colour:** Titanium  
**IP Rating:** IP65  
**Lamp Base:** Built in LED  
**CRI:** ≥80  
**Cable Length:** 200mm  
**Wiring:** Parallel  
**Dimmable:** No  
**Warranty:** 2 Years Replacement\*\*



## DIMENSIONS



## COLOUR TEMPERATURE



## IP RATING



## APPROVALS



## Product Ordering

IMAGE	PART NUMBER	COLOURTEMP	LUMENS	INPUT	BEAM ANGLE	INCLUDED LED
	<b>HV2960C-TTM-240V</b>	5500k	400lm	240v AC	120°	5w Built in LED
	<b>HV2960W-TTM-240V</b>	3000k	360lm			
	<b>HV2960C-TTM-12V</b>	5500k	400lm	12v DC	120°	5w Built in LED
	<b>HV2960W-TTM-12V</b>	3000k	360lm			

12v DC models must be used with suitable 12v DC LED Driver

\* Lumen output measured at source

\*\* See Warranty Terms and Conditions for more information

For more information contact Havit Lighting

ADDRESS:  
 143 Beauchamp Road  
 Matraville NSW 2036  
 Australia

Tel: 02 9381 8300  
 Fax: 02 9666 8881  
 Email: sales@havit.com.au  
 web: www.havit.com.au