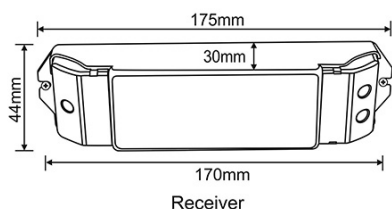


## PRODUCT SPECIFICATIONS

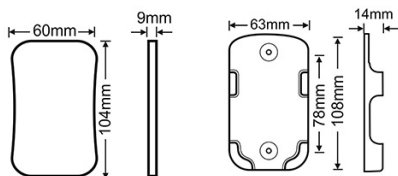
- Material:** Plastic
- Colour:** White
- LED Strip Type:** RGB
- No. of Zones:** 1
- No. of Channels:** 4
- Output Power:** 4x 5A (240w/480w)
- Receiver Input Voltage:** 12v DC or 24v DC
- Remote Input Voltage:** 3v DC Battery (CR2032)
- IP Rating:** IP20
- Dimmable:** Yes (5% - 100%)
- Warranty:** 2 Years Replacement\*\*



## DIMENSIONS



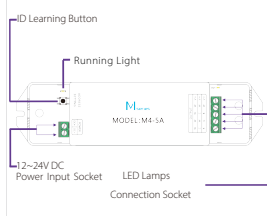
Receiver



Remote

Remote-holder

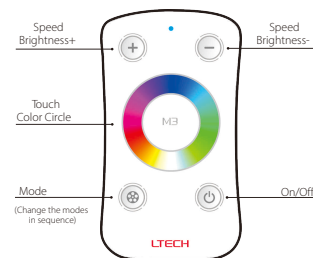
## WIRING DIAGRAM



## IP RATING



## OPERATING INSTRUCTIONS



### M3 Changing Mode Table

No.	Mode	No.	Mode
1	Static Red	7	Static White
2	Static Green	8	RGB Skipping
3	Static Blue	9	7 Colors Skipping
4	Static Yellow	10	RGB Color Smooth
5	Static Purple	11	Full-color Smooth
6	Static Cyan		

## Product Ordering

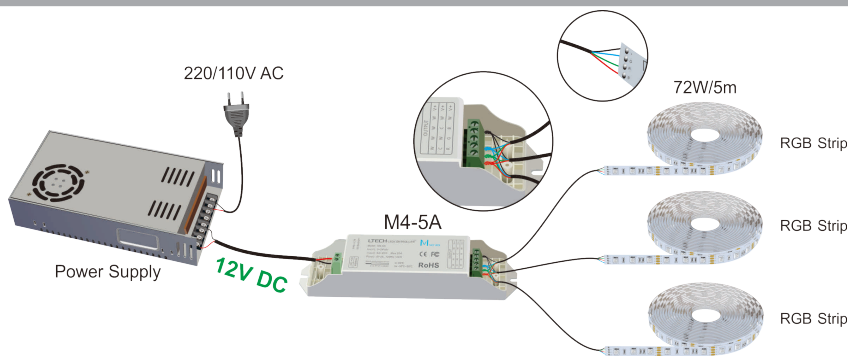
### IMAGE



### PART NUMBER

**HV9102-M3+M4-5A**

### SAMPLE INSTALLATION DIAGRAM



\*\* See Warranty Terms and Conditions for more information

For more information contact Havit Lighting

ADDRESS:  
143 Beauchamp Road  
Matraville NSW 2036  
Australia

Tel: 02 9381 8300  
Fax: 02 9666 8881  
Email: sales@havit.com.au  
web: www.havit.com.au