

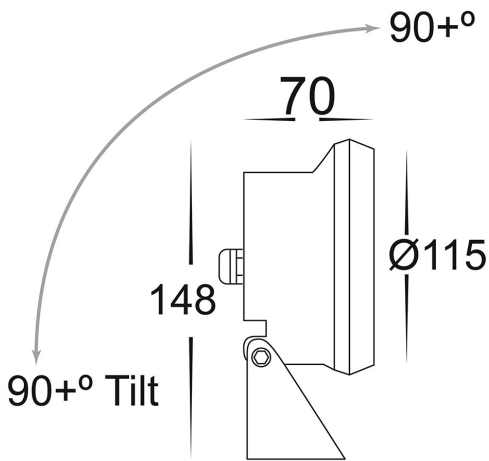
PRODUCT SPECIFICATIONS

- Name:** Sotto
- Material:** 316 Stainless Steel
- Colour:** Stainless Steel
- IP Rating:** IP68
- Lamp Base:** MR16
- CRI:** ≥80
- Cable Length:** 6000mm
- Installation Depth:** Up to 3000mm
- Wiring:** Parallel
- Dimmable:** No
- Warranty:** 2 Years Replacement**



(Optional garden spike)
not supplied
HV350-SPK

DIMENSIONS



COLOUR TEMPERATURE



IP RATING



APPROVALS



Product Ordering

IMAGE	PART NUMBER	COLOURTEMP	LUMENS	INPUT	BEAM ANGLE	INCLUDED LED
	HV1494C	5500K	975lm	12v DC	40°	15w Built in LED
	HV1494W	3000K	873lm			

12v DC models must be used with suitable 12v DC LED Driver

* Lumen output measured at source

** See Warranty Terms and Conditions for more information

For more information contact Havit Lighting

ADDRESS:
143 Beauchamp Road
Matraville NSW 2036
Australia

Tel: 02 9381 8300
Fax: 02 9666 8881
Email: sales@havit.com.au
web: www.havit.com.au