

PRODUCT SPECIFICATIONS

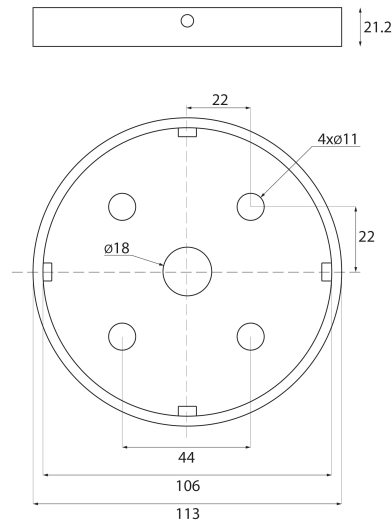
Name: Highlite
Material: Aluminium + PC Diffuser
Colour: Poly powder coated black
IP Rating: IP65
IK Rating: IK10
Lamp Base: Built in LED
CRI: ≥80
Wiring: Parallel
Dimmable: No
Warranty: 2 Years Replacement**



DIMENSIONS



MOUNTING BRACKET



APPROVALS



IP RATING



COLOUR TEMPERATURE

Tri-Colour By Havit

3000K

4000K

5500K



Product Ordering

| IMAGE | PART NUMBER | COLOURTEMP | LUMENS | INPUT | BEAM ANGLE | INCLUDED LED |
|-------|-------------------------|------------|----------------------|---------|------------|---|
| | HV1626T-BLK-240V | 3000K | 18w 1440lm | 240V AC | 120° | Tri-Colour 18w or 24w Built in LED (select wattage on PCB) |
| | | 4000K | 1476lm | | | |
| | | 5500K | 1530lm | | | |
| | | 3000K | 24w 1900lm | | | |
| | | 4000K | 1970lm | | | |
| | | 5500K | 2040lm | | | |

* Lumen output measured at source

** See Warranty Terms and Conditions for more information

For more information contact Havit Lighting

ADDRESS:
 143 Beauchamp Road
 Matraville NSW 2036
 Australia

Tel: 02 9381 8300
 Fax: 02 9666 8881
 Email: sales@havit.com.au
 web: www.havit.com.au