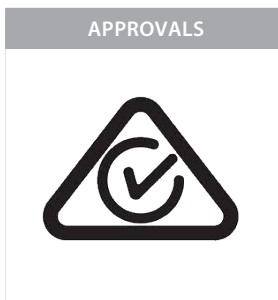
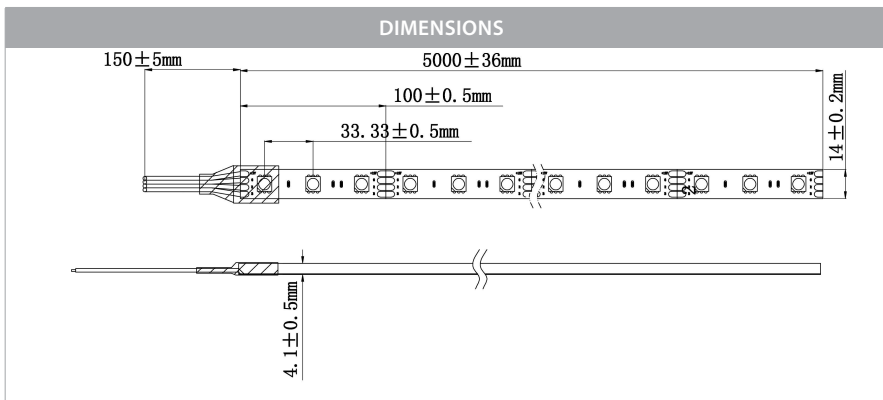


7.2w IP67 12v DC RGB LED Strip



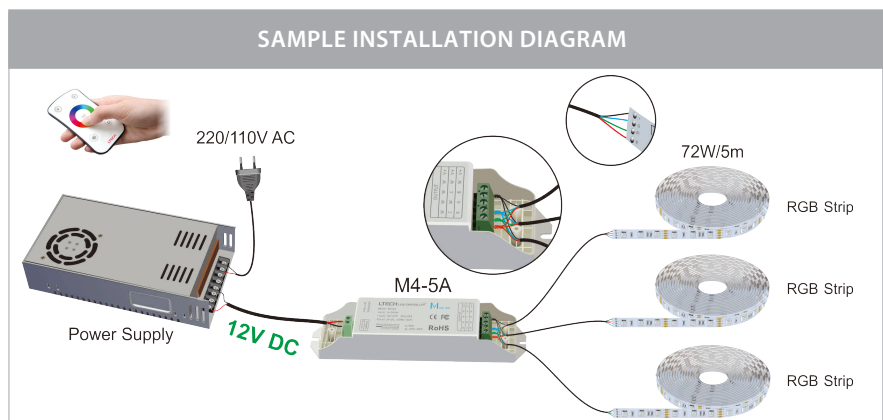
PRODUCT SPECIFICATIONS

- Watts Per Metre:** 7.2w
- Input Voltage:** 12v DC
- Colour Temp:** RGB (Red, Green, Blue)
- CRI:** >80
- Beam Angle:** 120°
- IP Rating:** IP67
- Size:** 14mm x 6mm (Including End Caps)
- PCB:** 3oz
- Dimmable:** Yes
- LED Chip Type:** 5050
- LED Chips Per Metre:** 30 LED'S
- Lumens Per Metre:** 585lm (white)
- Maximum Length:** 5000mm
- Cutting Increments:** Every 100mm
- Wiring:** Parallel
- Mounting:** Aluminium Profile or Heat Sink
- Warranty:** 2 Years Replacement**



Product Ordering

IMAGE	PART NUMBER
	HV9750-IP67-30-RGB



Must be used with a suitable 12v DC LED Driver + RGB Controller

* Lumens measured @ source
 **See Warranty Terms and Conditions for more information

For more information contact Havit Lighting

ADDRESS:
 143 Beauchamp Road
 Matraville NSW 2036
 Australia

Tel: 02 9381 8300
 Fax: 02 9666 8881
 Email: sales@havit.com.au
 web: www.havit.com.au