

14.4w IP20 12v DC RGB + 5500k LED Strip



PRODUCT SPECIFICATIONS

- Watts Per Metre:** 14.4w
- Input Voltage:** 12v DC
- Colour Temp:** RGBC (Red, Green, Blue + 5500k)
- CRI:** >80
- Beam Angle:** 120°
- IP Rating:** IP20
- Size:** 12mm x 2mm
- PCB:** 3oz
- Dimmable:** Yes
- LED Chip Type:** 5050
- LED Chips Per Metre:** 60 LED'S
- Lumens Per Metre:** 600lm (5500k)
- Maximum Length:** 5000mm
- Cutting Increments:** Every 50mm
- Wiring:** Parallel
- Mounting:** Aluminium Profile or Heat Sink
- Warranty:** 2 Years Replacement**



5500k



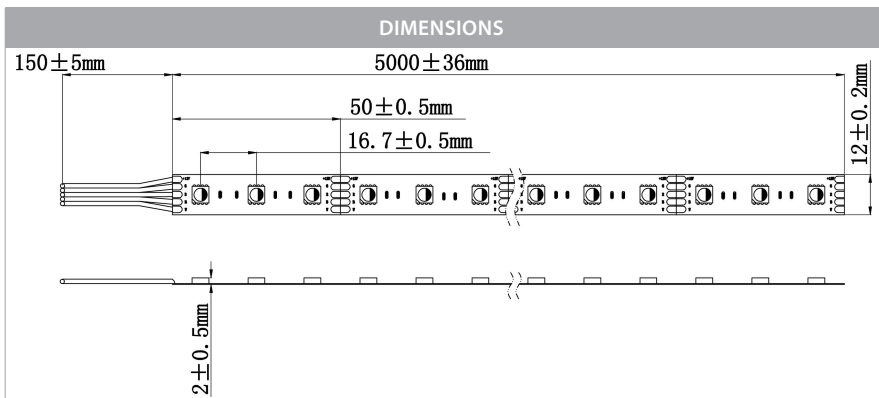
Blue



Green



Red



IP RATING



APPROVALS



Product Ordering

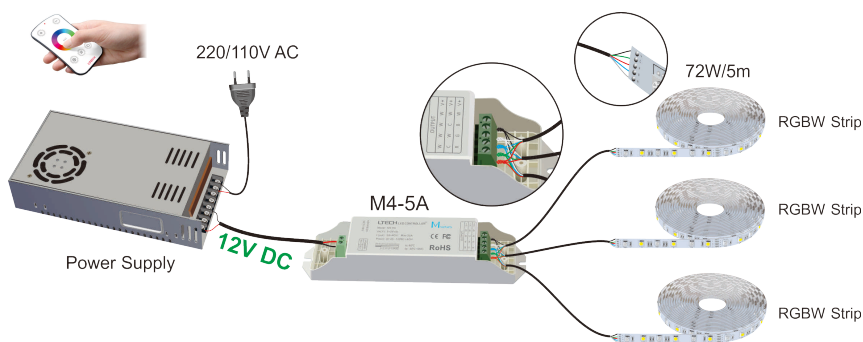
IMAGE

PART NUMBER



HV9751-IP20-60-RGBC

SAMPLE INSTALLATION DIAGRAM



Must be used with a suitable 12v DC LED Driver + RGBW Controller

* Lumens measured @ source

**See Warranty Terms and Conditions for more information

For more information contact Havit Lighting

ADDRESS:
143 Beauchamp Road
Matraville NSW 2036
Australia

Tel: 02 9381 8300
Fax: 02 9666 8881
Email: sales@havit.com.au
web: www.havit.com.au