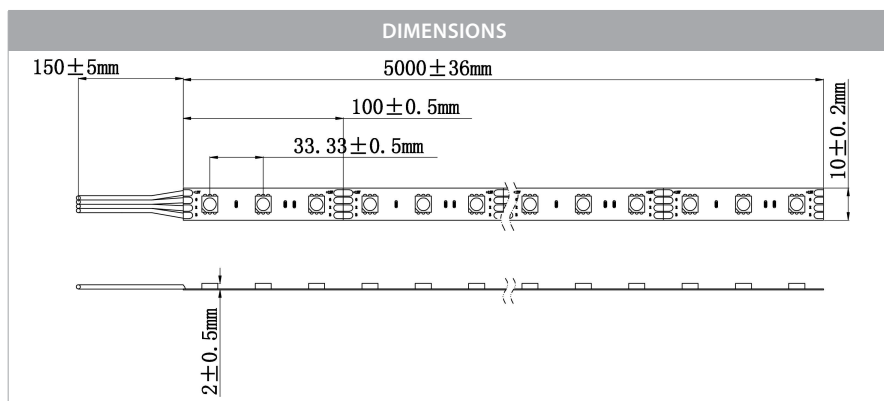


# 7.2w IP20 12v DC RGB LED Strip



## PRODUCT SPECIFICATIONS

- Watts Per Metre:** 7.2w
- Input Voltage:** 12v DC
- Colour Temp:** RGB (Red, Green, Blue)
- CRI:** >80
- Beam Angle:** 120°
- IP Rating:** IP20
- Size:** 10mm x 2mm
- PCB:** 3oz
- Dimmable:** Yes
- LED Chip Type:** 5050
- LED Chips Per Metre:** 30 LED'S
- Lumens Per Metre:** 585lm (white)
- Maximum Length:** 5000mm
- Cutting Increments:** Every 100mm
- Wiring:** Parallel
- Mounting:** Aluminium Profile or Heat Sink
- Warranty:** 2 Years Replacement\*\*



### IP RATING



### APPROVALS



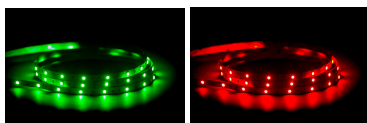
## Product Ordering

### IMAGE

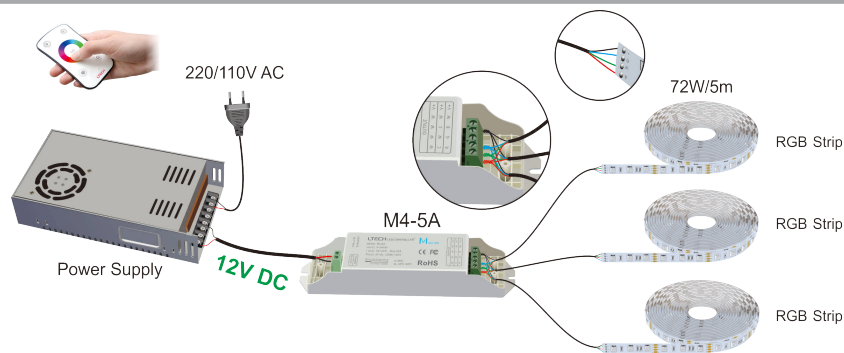
### PART NUMBER



**HV9750-IP20-30-RGB**



### SAMPLE INSTALLATION DIAGRAM



Must be used with a suitable 12v DC LED Driver + RGB Controller

\* Lumens measured @ source

\*\*See Warranty Terms and Conditions for more information

For more information contact Havit Lighting

ADDRESS:  
143 Beauchamp Road  
Matraville NSW 2036  
Australia

Tel: 02 9381 8300  
Fax: 02 9666 8881  
Email: sales@havit.com.au  
web: www.havit.com.au