

PRODUCT FAMILY DATASHEET

LED SUPERSTAR GIMBLE DOWNLIGHT

LED downlight luminaires



AREAS OF APPLICATION

- Living areas (living rooms, dining rooms, bedrooms etc.)

PRODUCT FEATURES

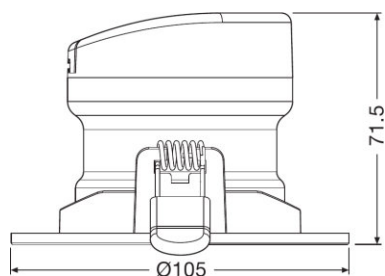
- Lifetime: up to 30,000 h
- Adjustable swivel angle: $\pm 30^\circ$
- Beam angle: 60°
- Available with color temperature: 3,000 K, 4,000 K



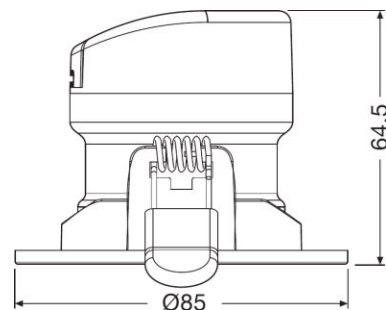
TECHNICAL DATA

Product description	Electrical data			Photometrical data		Light technical data	Dimensions & weight			Colors & materials	
	Nominal wattage	Nominal voltage	Mains frequency	Color temperature	Luminous flux	Beam angle	Width	Height	Product weight	Body material	Housing color
LED SST GIMBLE DL 10 W 3000 K KIT	10.00 W	220...240 V	50 Hz	3000 K	920 lm	60 °	105.0 mm	71.5 mm	280.00 g	Polycarbonate (PC)	White
LED SST GIMBLE DL 7 W 3000 K KIT	7.00 W	220...240 V	50 Hz	3000 K	630 lm	60 °	85.0 mm	64.5 mm	220.00 g	Polycarbonate (PC)	White
LED SST GIMBLE DL 10 W 4000 K KIT	10.00 W	220...240 V	50 Hz	4000 K	920 lm	60 °	105.0 mm	71.5 mm	280.00 g	Polycarbonate (PC)	White
LED SST GIMBLE DL 7 W 4000 K KIT	7.00 W	220...240 V	50 Hz	4000 K	630 lm	60 °	85.0 mm	64.5 mm	220.00 g	Polycarbonate (PC)	White

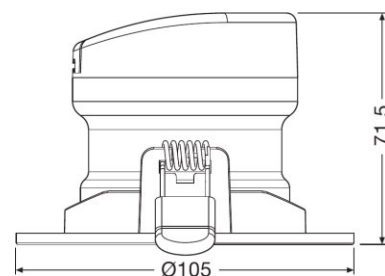
Product description	Product color	Temperatures & operating conditions	Lifespan			Capabilities	Certificates & standards	
		Ambient temperature range	Number of switching cycles	Lifespan	Lifespan	Dimmable	Protection class	Type of protection
LED SST GIMBLE DL 10 W 3000 K KIT	White	-20...+45 °C	50000	30000 h	30000 h	Yes	II	IP40
LED SST GIMBLE DL 7 W 3000 K KIT	White	-20...+45 °C	50000	30000 h	30000 h	Yes	II	IP40
LED SST GIMBLE DL 10 W 4000 K KIT	White	-20...+45 °C	50000	30000 h	30000 h	Yes	II	IP40
LED SST GIMBLE DL 7 W 4000 K KIT	White	-20...+45 °C	50000	30000 h	30000 h	Yes	II	IP40



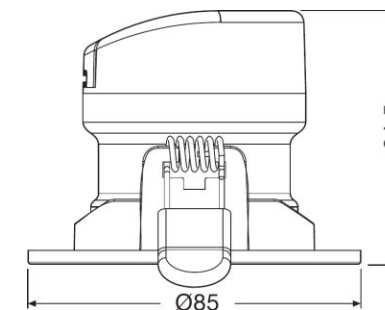
LED SST GIMBLE DL 10 W 3000 K KIT



LED SST GIMBLE DL 7 W 3000 K KIT



LED SST GIMBLE DL 10 W 4000 K KIT



LED SST GIMBLE DL 7 W 4000 K KIT

EQUIPMENT / ACCESSORIES

- Equipped with 1.2 m cable and plug

APPLICATION ADVICE

For more detailed application information and graphics please see product datasheet.

LOGISTICAL DATA

Product code	Packaging unit (Pieces/Unit)	Dimensions (length x width x height)	Gross weight	Volume
4058075132382	Shipping carton box 24	383 mm x 303 mm x 311 mm	9379.00 g	36.09 dm ³
4058075132405	Shipping carton box 30	350 mm x 240 mm x 425 mm	9546.00 g	35.70 dm ³
4058075132429	Shipping carton box 24	383 mm x 303 mm x 311 mm	9379.00 g	36.09 dm ³

Product code	Packaging unit (Pieces/Unit)	Dimensions (length x width x height)	Gross weight	Volume
4058075132443	Shipping carton box 30	350 mm x 240 mm x 425 mm	9546.00 g	35.70 dm ³

The mentioned product code describes the smallest quantity unit which can be ordered. One shipping unit can contain one or more single products. When placing an order, for the quantity please enter single or multiples of a shipping unit.

DISCLAIMER

Subject to change without notice. Errors and omission excepted. Always make sure to use the most recent release.