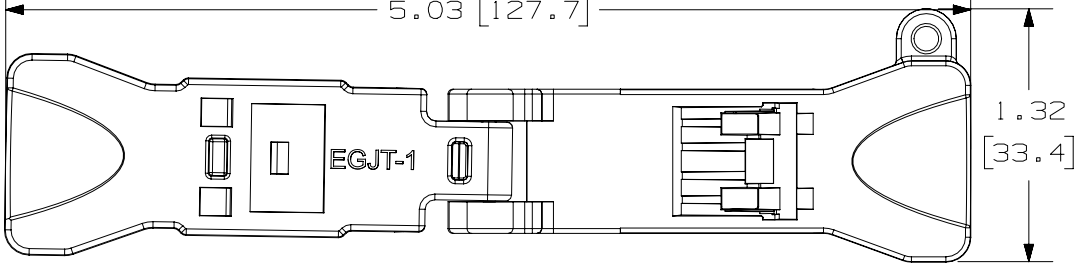


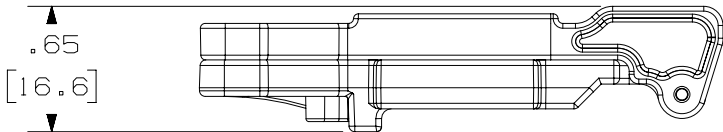
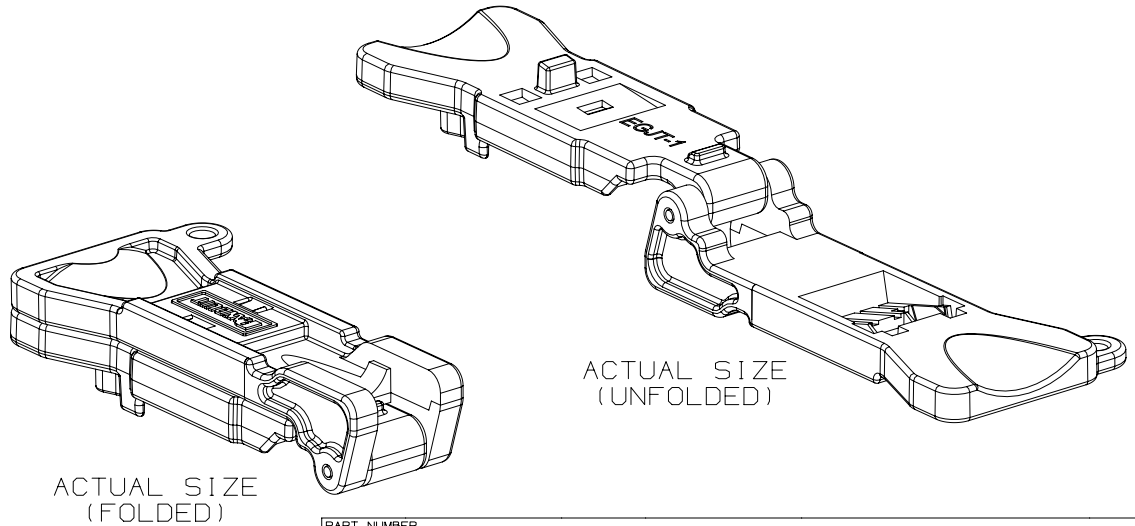
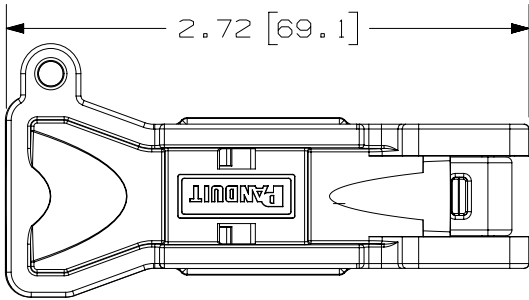
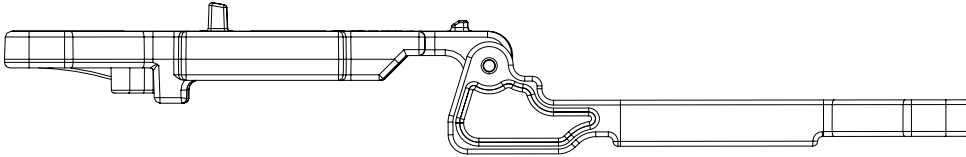
THIS COPY IS PROVIDED ON A RESTRICTED BASIS AND IS NOT TO BE USED IN ANY WAY DETRIMENTAL TO THE INTERESTS OF PANDUIT CORP.

5.03 [127.7]



NOTES:

1. VISIT OUR ON-LINE CATALOG AT WWW.PANDUIT.COM FOR A LIST OF CURRENT PARTS APPLICABLE FOR USE WITH THIS PRODUCT.
2. DIMENSIONS IN [] ARE METRIC.
3. ALL MATERIALS AND COMPONENTS USED MEET THE MATERIAL RESTRICTIONS OF RoHS (EUROPEAN DIRECTIVE 2011/65/EU ON THE RESTRICTION OF HAZARDOUS SUBSTANCES) AS PROPOSED BY THE RoHS TECHNICAL ADAPTATION COMMITTEE.
4. WEIGHT: .29 LB/10 PCS (131.6 g/10 PCS)
5. MATERIAL: GLASS FILLED NYLON



PART NUMBER		EGJT-1		
TITLE				
TG TERMINATION TOOL				
CUSTOMER DRAWING				
ITEM REVISION NAME		00068SKC/08		
DATASET FILE NAME		00068SKC_DC02/08A		
		THIRD ANGLE PROJECTION		
REVIEW DRAWING NUMBERS:		00068SKA-01, 00068SKB-01 00068SKC-01, 02436-04		DRAWING NUMBER
				00068SKC-02
DRAWN BY	DATE	CHK	SCALE	SIZE
BJN	12-15-16	DCS	FULL	A
SHEET 1 OF 1				

08A	2-28-18	BJN	DCS	TMBA	UPDATED REVISED & REDRAWN PREVIOUS REVISIONS REMVD FOR CLARITY	00068SKC-02
REV	DATE	BY	CHK	APR	DESCRIPTION	ECN

A-SIZE CUSTOMER

2

1