

atomⁱ

LED TRACK LIGHTING

10W Track lighting spots, kits and accessories



Features

- Ideal for residential, retail, showroom and decorative lighting applications
- Supplied with dimmable LED driver
- Flexible and adaptable solution
- Complete range of accessories



Colour temperature

Cool white and warm white



Dimmable

On selected dimmers



Finish

Black and White



Warranty

Three year warranty

Product datasheet

Description

10W LED Dimmable track mounted adjustable spotlights.

Finishes



Product specification

Voltage	230V- 50Hz	
Power consumption	10W	
Light colour options	Warm white	Cool white
Lumen Output	900lm*	950lm**
Colour temperature	3000K	4000K
Colour rendering index	>80	
Beam angle	60°	
Dimmable	Yes	
Warranty	3 years	
Working Temperature	-20° – 45°C	
IP Rating	IP20	
Electrical classification	Class I	

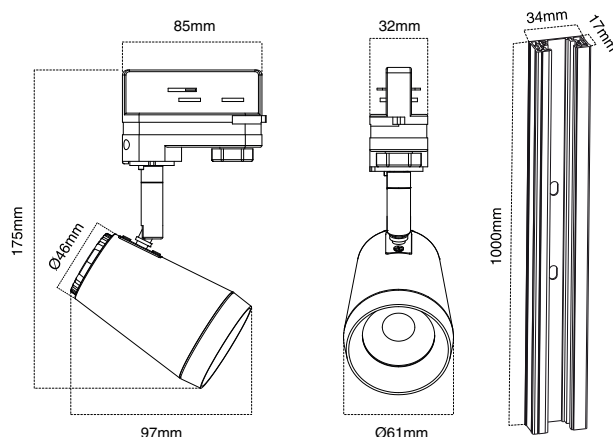
*White finish (3000K): 900lm. Black finish (3000K): 810lm.
 **White finish (4000K): 950lm. Black finish (4000K): 855lm.

Product range

Track Lights

Code	Finish	Lumens	Colour temperature
AT1107/BLK/WW	Black	810lm	Warm white
AT1107/BLK/CW	Black	855lm	Cool white
AT1107/WH/WW	White	900lm	Warm white
AT1107/WH/CW	White	950lm	Cool white

Track kit



Product range continued

Accessories

Code	Finish	Description
AT1100/BLK/1M	Black	3 wire - Track 1m aluminium alloy
AT1100/BLK/2M	Black	3 wire - Track 2m aluminium alloy
AT1100/BLK/BEND	Black	3 wire - Bendable joiner
AT1100/BLK/CF	Black	3 wire - Centre feed
AT1100/BLK/DEAD	Black	3 wire - Dead end
AT1100/BLK/LIVE	Black	3 wire - Live end feeder
AT1100/BLK/RA	Black	3 wire - Right angle - Left
AT1100/BLK/STR	Black	3 wire - Straight joiner
AT1100/BLK/T	Black	3 wire - T joiner
AT1100/BLK/X	Black	3 wire - X joiner
AT1100/WH/1M	White	3 wire - Track 1m aluminium alloy
AT1100/WH/2M	White	3 wire - Track 2m aluminium alloy
AT1100/WH/BEND	White	3 wire - Bendable joiner
AT1100/WH/CF	White	3 wire - Centre feed
AT1100/WH/DEAD	White	3 wire - Dead end
AT1100/WH/LIVE	White	3 wire - Live end feeder
AT1100/WH/RA	White	3 wire - Right angle - Left
AT1100/WH/STR	White	3 wire - Straight joiner
AT1100/WH/T	White	3 wire - T joiner
AT1100/WH/X	White	3 wire - X joiner

Track Kits

Code	Contents
AT1107/WH/WW/KIT	1 x AT1100/WH/1M + 2 x AT1107/WH/WW
AT1107/WH/CW/KIT	1 x AT1100/WH/1M + 2 x AT1107/WH/CW

Dimensions

Description	Width	Height	Depth
Track mounted adjustable spotlight	61mm	175mm	97mm
3 wire - Track 1m aluminium alloy	1000mm	17mm	34mm
3 wire - Track 2m aluminium alloy	2000mm	17mm	34mm

Accessories

