

Quick Reference Guide
Guía de referencia rápida
Guia de referência rápida



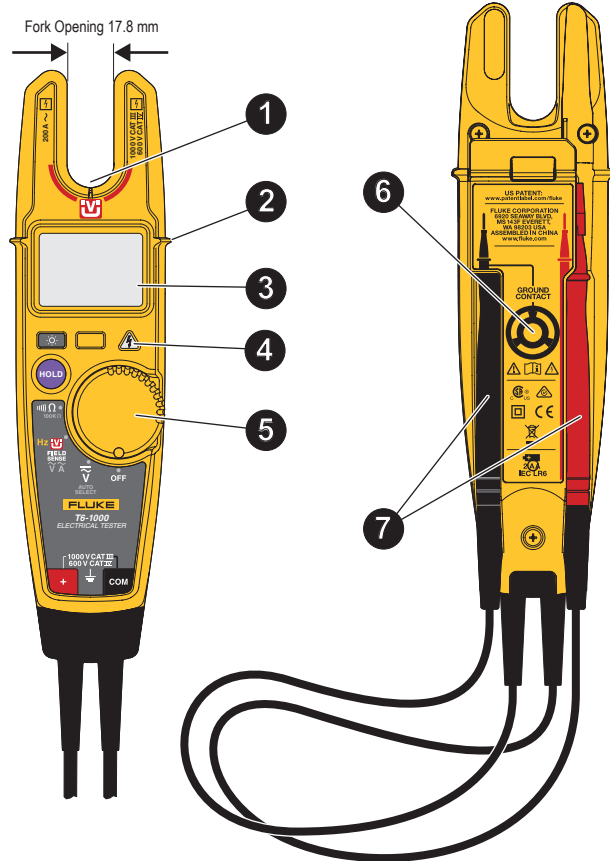
T6-600/T6-1000

Electrical Tester with FieldSense Technology

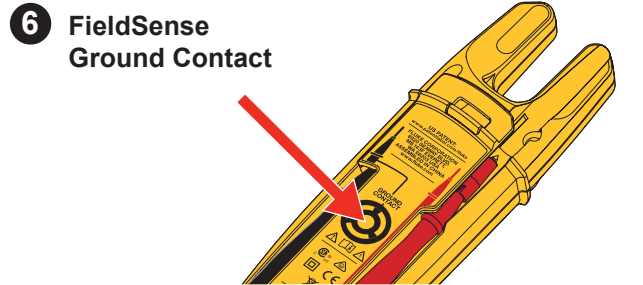
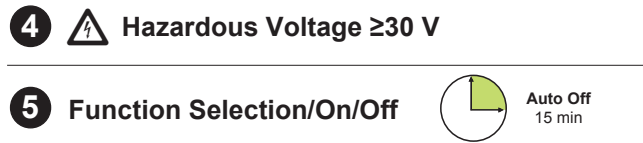
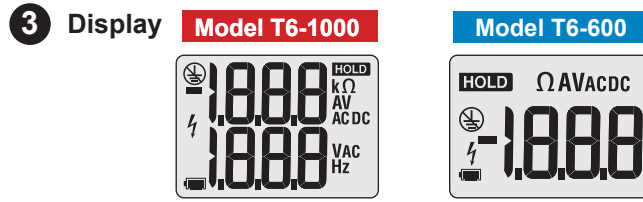
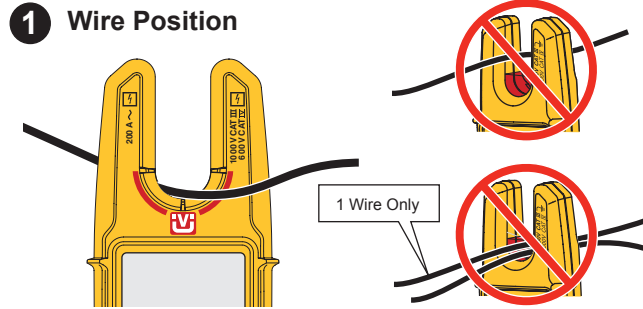
See "Safety Information".
 Go to www.fluke.com to register your product and find more information, or download this Quick Reference Guide in other languages.
 Consulte las "Información sobre seguridad".

Vaya a www.fluke.com para registrar el producto y obtener más información, o descargue esta Guía de referencia rápida en otros idiomas.

Consulte o "Informações de Segurança". Acesse www.fluke.com.br para registrar seu produto e obter mais informações, ou baixe este Guia de referência rápida em outros idiomas.



Overview



Symbols

| | | | |
|--|-----------------------------|--|--|
| | WARNING. RISK OF DANGER. | | Test with fork and FieldSense ground contact. |
| | Consult user documentation. | | Test with fork and ground probe. |
| | Hazardous voltage ≥30 V. | | Test with probes. |
| | Battery full charge. | | FieldSense Measurement: Fluke voltage/current sensing technique. |
| | Battery low. Replace. | | Good earth ground connection. |
| | Back light | | No earth ground connection. |

Specifications

| Function | Requires Test Leads | Model T6-1000 | Model T6-600 | Resolution | Accuracy ^[1] |
|---------------------------|---------------------|----------------|--------------|------------|---|
| | | Range | Range | | |
| FieldSense Voltage ac | No | 1000 V | 600 V | 1 V | ±(3 % + 3 counts) 45 Hz to 66 Hz ^{[2][3]} |
| FieldSense Current ac | No | 200.0 A | 200.0 A | 0.1 A | ±(3 % + 3 counts) 45 Hz to 66 Hz |
| FieldSense Frequency (Hz) | No | 45 Hz to 66 Hz | | 1 Hz | ±(1 % + 2 counts) ^[3] |
| Voltage ac | Yes | 1000 V | 600 V | 1 V | ±(1.5 % + 2 counts) 45 Hz to 66 Hz |
| Voltage dc | Yes | 1000 V | 600 V | 1 V | ±(1 % + 2 counts) |
| Resistance | Yes | 2000 Ω | 2000 Ω | 1 Ω | ±(1 % + 2 counts) |
| | Yes | 20.00 kΩ | | 0.01 kΩ | |
| | Yes | 100.0 kΩ | | 0.1 kΩ | |

[1] Accuracy: ± ([% of reading] + [number of least significant digits]). Accuracy is specified for 1 year after calibration, at 18 °C to 28 °C (64 °F to 82 °F) with relative humidity to 90 %. AC measurements are ac coupled, RMS responding.
 [2] Add 3 % without an external ground connection. External ground connection required for user wearing insulated gloves, standing on an insulated ladder, or otherwise insulated from earth ground.
 [3] FieldSense is specified from 16 V to 100 % of range.

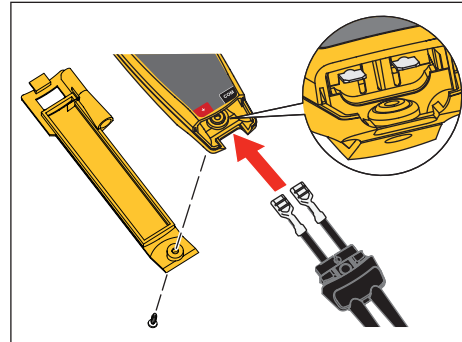
| | |
|-------------------------------------|--|
| Fork Opening | 17.8 mm |
| Calibration | 1-year calibration cycle |
| Temperature Operating Storage | -10 °C to +50 °C (+14 °F to +122 °F) -30 °C to +60 °C (-22 °F to +140 °F) |
| Altitude Operating Storage | 2000 m 10 000 m |
| Relative Humidity | 0 % to 95 %, 5 °C to 30 °C (41 °F to 86 °F) 0 % to 75 %, 30 °C to 40 °C (86 °F to 104 °F) 0 % to 45 %, 40 °C to 50 °C (104 °F to 122 °F) |
| Battery Type and Life | 2x AA (IEC LR6) 360 hr continuous, typical is 200 hr using the FieldSense function |
| Temperature coefficient | 0.1 x (specified accuracy) / °C for <18 °C or >28 °C (<64.4 °F or >82.4 °F) |

Replacement Parts

| | |
|--|------------|
| Test Lead Assembly (T5-RLS) Replace only with Fluke double-insulated leads (□) | PN 4462973 |
| TP1 Probe Set, Flat-Blade | PN 648128 |
| Battery Door | PN 4944370 |
| Battery Door Screw | PN 1618579 |

Use only specified replacement parts.

Lead Replacement



Accessories

- HT6 Belt Holster
- TPAK Hanger
- PRV240FS
- AC285 SureGrip™ Alligator Clips
- AC220 SureGrip™ Alligator Clips



How to Make Measurements

1

2A $\tilde{V}(AC)$ 45 Hz - 66 Hz
 T6-600 max: 600 V rms CAT III
 T6-1000 max: 1000 V rms CAT III
 600 V rms CAT IV

2B $\bar{V}(DC)$ T6-600 max: 600 V CAT III
 T6-1000 max: 1000 V CAT III
 600 V CAT IV

HOLD

Model T6-1000 $\tilde{A} / \tilde{V} / Hz / \bar{V}$

1

2 Use the Ground Probe

3

4 \tilde{A} / \tilde{V}
 Display turns green for valid measurement. See Tips.

5 Hz
 = Hz

1

2 Insert Test Probes into the storage dock

3 Hold hand firmly on FieldSense Ground Contact

4 \tilde{A} / \tilde{V}
 Display turns green for valid measurement. See Tips.

5 Hz
 = Hz

Model T6-600 $\tilde{A} / \tilde{V} / \bar{V}$

1

2 Use the Ground Probe

3

4 \tilde{A}
 Display turns green for valid measurement. See Tips.

5 \tilde{V}
 = \tilde{V}

1

2 Insert Test Probes into the storage dock

3 Hold hand firmly on FieldSense Ground Contact

4 \tilde{A}
 Display turns green for valid measurement. See Tips.

5 \tilde{V}
 = \tilde{V}

1

2A
 + -

2B
 + -

Ω
 80 n

Tips: FieldSense Technology

Use the black probe to make the ground connection if:

- wearing gloves or insulated footwear
- standing on an insulated ladder
- additional ground contact is required for the application

Do not hold or touch wire during a measurement.

FieldSense measurement looks like this when properly grounded:

- Display color turns green
- Display shows a valid measurement >16 V rather than dashes or 0.0
- ⚡ shows for measurement ≥30 V

| If you see: | Solution: | |
|-------------|---|--|
| | <ul style="list-style-type: none"> ⚡ shows on the display Display color is gray VAC measurement does not show on display | <ul style="list-style-type: none"> Make sure that your bare hand is firmly touching the FieldSense Ground Contact on the battery door. Check that the black probe is properly stored in the dock. Check the wire position in the fork opening. See the section about wire position. |
| | <ul style="list-style-type: none"> Display color is gray VAC measurement does not show on display | <ul style="list-style-type: none"> Measurement is <16 V Check the wire position in the fork opening. See the section about wire position. |

1

2
 Do not overtighten screw