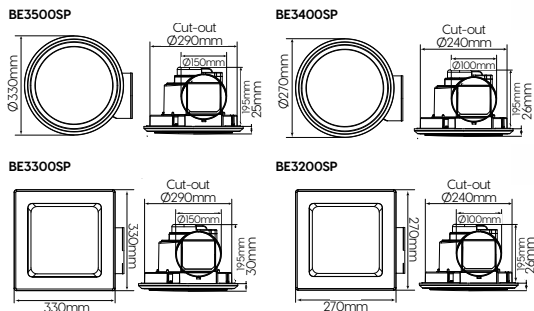


NOVALINE II

DIY

BE3200SP / BE3300SP / BE3400SP / BE3500SP



UP TO
35W
EXHAUST
FAN

UP TO
320 m³/hr
AIR
EXTRACTION

12 MONTH
WARRANTY

PRODUCT DETAILS

- Ideal for bathrooms, toilets or kitchens
- Easy to install - DIY to existing power outlet*
- Silent and powerful motor
- Flex & plug included
- Side duct and draft stopper included for energy efficient operation
- Cut out template included

COLOURS

- Silver
- White



Silver Round



Silver Square



White Round



White Square

RECOMMENDED ACCESSORIES

- Duct Kit: DA10015D (BE3200SP/BE3400SP)
- Duct Kit: DA10030D (BE3200SP/BE3400SP)
- Duct Kit: DA15015D (BE3300SP/BE3500SP)
- Duct Kit: DA15030D (BE3300SP/BE3500SP)

Model	Exhaust Fan	Air Extraction	Fascia Size	Cut Out Size
BE3200SP (square)	30W	270m ³ /hr	270 x 270mm	Ø240mm
BE3300SP (square)	35W	320m ³ /hr	330 x 330mm	Ø290mm
BE3400SP (round)	30W	270m ³ /hr	Ø270mm	Ø240mm
BE3500SP (round)	35W	320m ³ /hr	Ø330mm	Ø290mm

* All power outlets must be installed by a qualified electrician