



BLIND SNAKE

RAPID PLUG BASE

NO TOOLS REQUIRED

AS/NZS STANDARDS APPROVED*

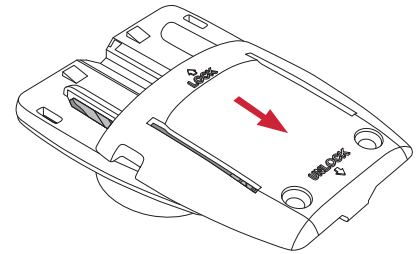
FITS 1.5mm² & 2.5mm² **

10A 250V AC



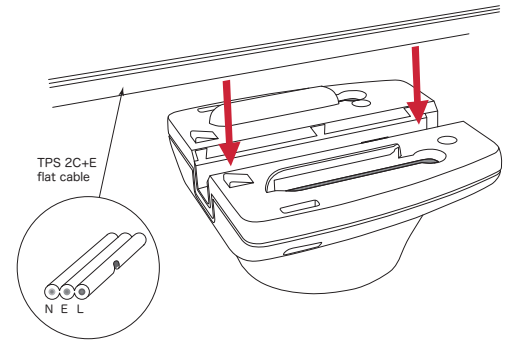
INSTALLATION GUIDE

- 1** Slide the cover back until you can remove it completely.

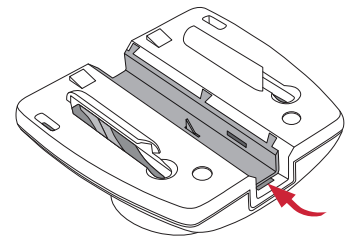


- 2** For 1.5mm cable place the cable¹ into the channel and push it down so it's completely flat.

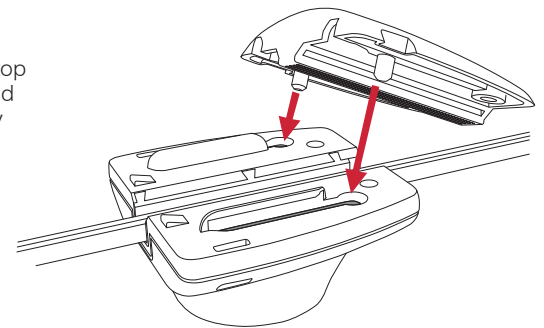
¹NOTE: for polarity, ensure the Active/Line conductor is aligned with the red mark. This can be achieved by nicking a small part of the insulation off the cable outer sheath.



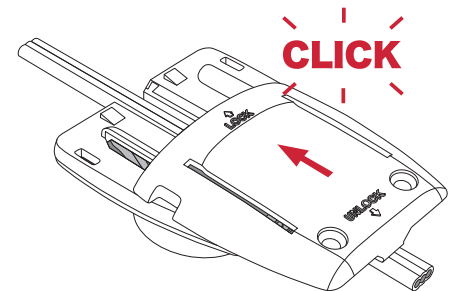
- 3** For 2.5mm cable, remove the insert in the centre, place the cable into the channel and push it down so it's completely flat.



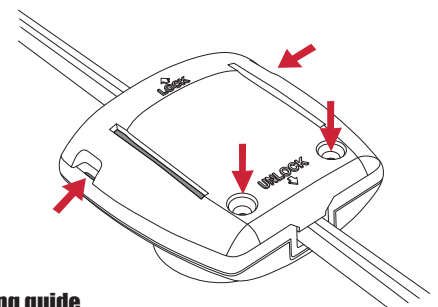
- 4** Place the cover on top of the main body and press the pins firmly into the guides.



- 5** Slide the cover closed until you hear a 'click' sound.



- 6** **OPTIONAL**
Fix the snake into place using suitable fixing screws or the cable tie loops.



Turn over for termination and unlocking guide

1 Year Warranty

Warranty Disclaimer

Please refer to M-Elec website (melec.com.au) for information on the warranty period of each product. Each of our product warranties is separate and subject to the following terms and conditions:

- M-Elec products must be properly installed by a qualified electrician and in accordance with any relevant guidelines, codes, and standards. This includes wiring and connection to proper approved components and product working environments.
- This warranty is void and does not apply to products that fail as a result of neglect, mistake misuse, alteration, or that is improperly installed and implemented. This includes but is not limited to: improper wiring, installation under improper and non-approved operating environments such as temperature, humidity, corrosion or voltage conditions; improper installation using components that are not approved or are not M-Elec manufactured products.
- It is the responsibility of the purchaser to obtain all necessary approvals and to understand the products intended use and all relevant instructions, recommendations, and guidelines for the proper installation and use of any M-Elec products and related 'manufactured products' used in conjunction with same.
- M-Elec is not liable for the accuracy and completeness of any statements, technical information and recommendations in any form of product literature or instructions are not guaranteed, and are not part of this warranty, and does not in any way constitute a warranty. The purchaser is solely responsible for determining suitability of the M-Elec products for installation and full implementation must determine potential applications and installations independently.
- Warranty is void if products have been altered, opened/modified in any way that is outside the bounds of normal electrical work.
- To make a claim on any of M-Elec's products, you must do so within 14 days from the day of receipt (from place of purchase) please read our returns policy for further information (melec.com.au/returns-policy) and deliver the transformer to M-Elec (at your cost) to Head Office. M-Elec will assess the warranty claim by conducting electrical tests, and visual and microscopic inspection to make sure there is no visible physical damage. If M-Elec grants the warranty claim, we will replace the product or refund your money, at our election.
- M-Elec is not responsible or liable for any injuries, damages, or death caused by the use, misuse or failure of products purchased from us.
- This warranty is in addition to any other rights the consumer may have under the Australian Consumer Law.

To the fullest extent permitted by law, no warranties other than those described above are given in respect of M-Elec products. M-Elec's liability is limited, to the fullest extent permitted by law, to the refund or replacement of the M-Elec products. We expressly do not warrant that an M-Elec product will last any particular length of time nor guarantee is made as to fitness to a particular application, since we have no control of the electrical supply or circuits.

M-Elec goods come with guarantees that cannot be excluded under the Australian Consumer Law. You are entitled to a replacement or refund for a major failure and compensation for any other reasonably foreseeable loss or damage. You are also entitled to have the goods repaired or replaced if the goods fail to be of acceptable quality and the failure does not amount to a major failure.

ALL RETURNS MUST BE RETURNED TO:

M-ELEC HEAD OFFICE

10 Technology Drive, Warana Qld 4575

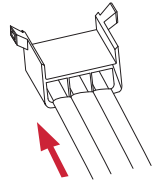
Please read our returns policy procedure for further information on M-Elec website melec.com.au/returns-policy or request it via phone (07) 5438 8535 from our customer care consultants.

TERMINATION GUIDE - OPTIONAL

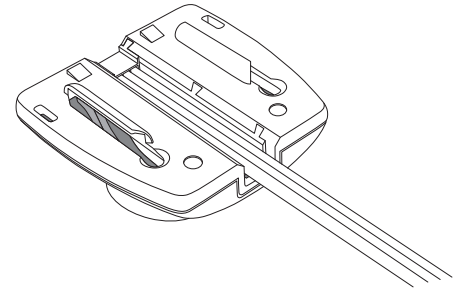
1 Strip 15mm of the outer cable insulation exposing the inner insulated wires.



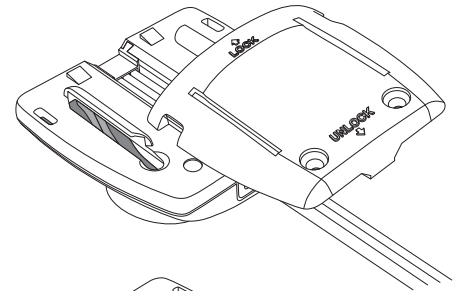
2 Insert active, earth and neutral insulated cables into the slots on the terminator block.



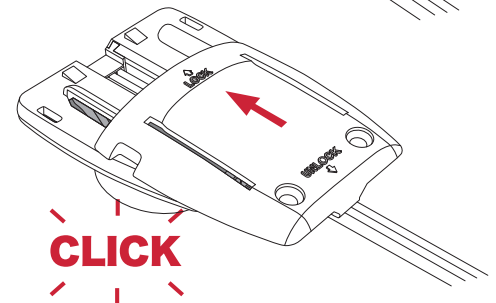
3 Clip the terminator block in the top end of the channel ensuring the cable is sitting flat in the channel.



4 Place the cover on top of the main body and press the pins firmly into the guides.

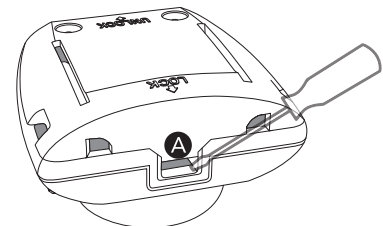


5 Slide the cover closed until you hear a 'click' sound for a safe and secure termination.



UNLOCKING GUIDE

1 Insert a small flat bladed screwdriver into **position A** and lift slightly.



2 Slide the cover back until you can remove it completely.

