

240V TRADITIONAL GLS STYLE LED LAMP

LG5, LG7, LG9 GLS LED LAMPS

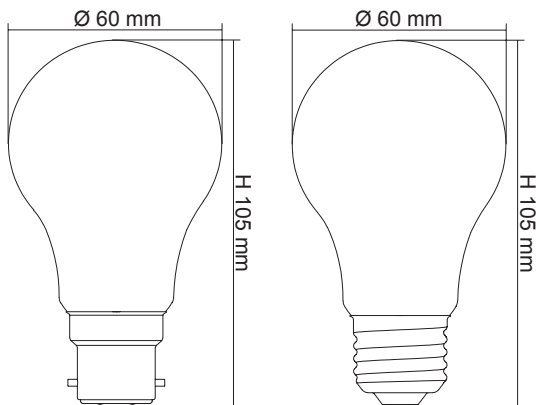
CONSTRUCTION

- 1:1 size to traditional GLS lamp
- Traditional GLS style LED lamp
- All glass body
- Opal glass diffuser
- High efficiency LED chips
- 360° wide beam angle
- Built-in trailing edge dimmable LED driver
- Double insulation
- Suits most GLS lamp fittings

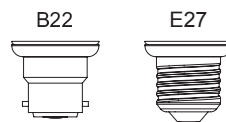
COLOUR TEMPERATURE

- 2700K WARM WHITE
- 5000K NEUTRAL DAYLIGHT

DIMENSIONS



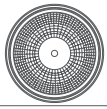
LAMP BASES



Model No.	Input	Power	Lumen	Beam Angle	CCT	CRI	Dimmable	Lamp Base
LG5/27B22D	240V	4W	450lm	360°	2700K	>80	Yes	B22
LG5/27E27D	240V	4W	450lm	360°	2700K	>80	Yes	E27
LG5/50B22D	240V	4W	500lm	360°	5000K	>80	Yes	B22
LG5/50E27D	240V	4W	500lm	360°	5000K	>80	Yes	E27

Model No.	Input	Power	Lumen	Beam Angle	CCT	CRI	Dimmable	Lamp Base
LG7/27B22D	240V	6W	700lm	360°	2700K	>80	Yes	B22
LG7/27E27D	240V	6W	700lm	360°	2700K	>80	Yes	E27
LG7/50B22D	240V	6W	750lm	360°	5000K	>80	Yes	B22
LG7/50E27D	240V	6W	750lm	360°	5000K	>80	Yes	E27

Model No.	Input	Power	Lumen	Beam Angle	CCT	CRI	Dimmable	Lamp Base
LG9/27B22D	240V	8W	900lm	360°	2700K	>80	Yes	B22
LG9/27E27D	240V	8W	900lm	360°	2700K	>80	Yes	E27
LG9/50B22D	240V	8W	950lm	360°	5000K	>80	Yes	B22
LG9/50E27D	240V	8W	950lm	360°	5000K	>80	Yes	E27



240V TRADITIONAL GLS STYLE LED LAMP

LG5, LG7, LG9 FILAMENT GLS LED LAMPS

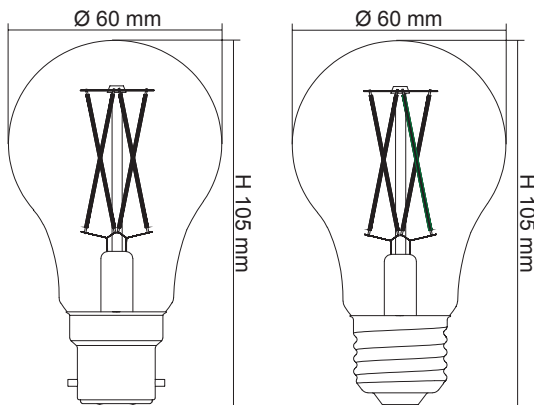
CONSTRUCTION

- 1:1 size to traditional GLS lamp
- Traditional GLS style LED lamp
- Clear glass diffuser
- High efficiency LED filament
- 360° wide beam angle
- Built-in trailing edge dimmable LED driver
- Double insulation
- Suits most GLS lamp fittings

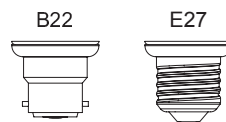
COLOUR TEMPERATURE

- 2700K WARM WHITE
- 5000K NEUTRAL DAYLIGHT

DIMENSIONS



LAMP BASES



Model No.	Input	Power	Lumen	Beam Angle	CCT	CRI	Dimmable	Lamp Base
LG5/27B22D/C	240V	4W	450lm	360°	2700K	>80	Yes	B22
LG5/27E27D/C	240V	4W	450lm	360°	2700K	>80	Yes	E27
LG5/50B22D/C	240V	4W	500lm	360°	5000K	>80	Yes	B22
LG5/50E27D/C	240V	4W	500lm	360°	5000K	>80	Yes	E27

Model No.	Input	Power	Lumen	Beam Angle	CCT	CRI	Dimmable	Lamp Base
LG7/27B22D/C	240V	6W	750lm	360°	2700K	>80	Yes	B22
LG7/27E27D/C	240V	6W	750lm	360°	2700K	>80	Yes	E27
LG7/50B22D/C	240V	6W	800lm	360°	5000K	>80	Yes	B22
LG7/50E27D/C	240V	6W	800lm	360°	5000K	>80	Yes	E27

Model No.	Input	Power	Lumen	Beam Angle	CCT	CRI	Dimmable	Lamp Base
LG9/27B22D/C	240V	8W	950lm	360°	2700K	>80	Yes	B22
LG9/27E27D/C	240V	8W	950lm	360°	2700K	>80	Yes	E27
LG9/50B22D/C	240V	8W	1000lm	360°	5000K	>80	Yes	B22
LG9/50E27D/C	240V	8W	1000lm	360°	5000K	>80	Yes	E27