

Stanilite®

Platinum batten LED weatherproof Nexus® - 4 foot



Range

Platinum range

Product group

Batten LED



Features

Nexus LX/RF unit



- Typically 3,500 lumens on mains AC operation, 600 lumens in emergency operation
- Weatherproof rating IP65
- IK08 impact rating
- Ceiling, wall mount or suspension mounting (wall mount requires optional 45° mounting brackets)
- Higher wall mount classification using optional wall mount brackets
- Long LED life 75,000 hours
- Colour temperature 4,000K
- Higher colour rendering index CRI>80
- Mains terminal block accepts up to 2.5mm² cable
- Advanced charging technology combined with Lithium iron phosphate battery for long life and low maintenance
- External mounting clips for ease of installation
- Stainless steel diffuser clips
- High efficiency frosted polycarbonate diffuser
- AC efficacy typically 121 lumens/watt
- Ambient operating temperature; +10°C to +40°C
- Nexus monitored, either cabled or wireless

Motion detect option

- Microwave motion detect sensor with settings for delay time, detection range and light value function
- Luminaire is not switched on if there is adequate ambient illumination in the area sensed
- Energy-efficient and cost-effective operation thanks to “corridor function” which dims the light to only 10% output with no movements detected and increase the light back to 100% when presence is detected
- Maximum installation height 5m; variable 0.5 - 5.0m

Catalogue no.	Description
Nexus products	
PBLWLX35LM	Platinum batten LED weatherproof Nexus LX 3500 lumens maintained
PBLWLX35LMMD	Platinum batten LED weatherproof Nexus LX 3500 lumens maintained with motion detect sensor
PBLWRF35LM	Platinum batten LED weatherproof Nexus RF 3500 lumens maintained
PBLWRF35LMMD	Platinum batten LED weatherproof Nexus RF 3500 lumens maintained with motion detect sensor

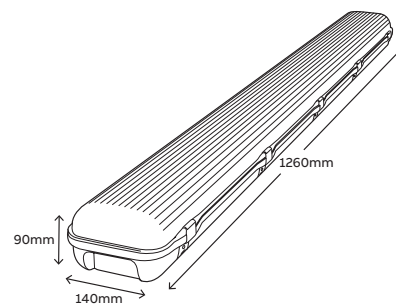
Note: AC versions also available

Accessories

21-PCCSBLW	Polycarbonate clips
26-PBMD001	Wall mount bracket pair 45°
PBLWSS316-KIT	SS316 marine grade accessory kit (includes diffuser clips x 10, suspension clips x 2, mounting bracket x 2 and M4 x 8 screws x 2)

Spare parts

03-01307P	Battery LiFePO4 6.4V 3.2Ah
-----------	----------------------------



Dimensions

Length	Width	Bare height
1260mm	140mm	90mm

Weight

Model	Weight
Nexus LX/RF	3.2kg

Construction

Part	Construction
Reflector	Powder coated steel
Body and diffuser	Polycarbonate
Clips	Stainless steel

Light source

Model	Light source
Nexus LX/RF	LED strips

Power consumption

Model	Normal	S/A off	Standby
Nexus LX/RF	30.5W	1W	N/A
Nexus LX/RF motion detect	31.5W	1W	6.3W

Note: Preliminary results

Photometrics

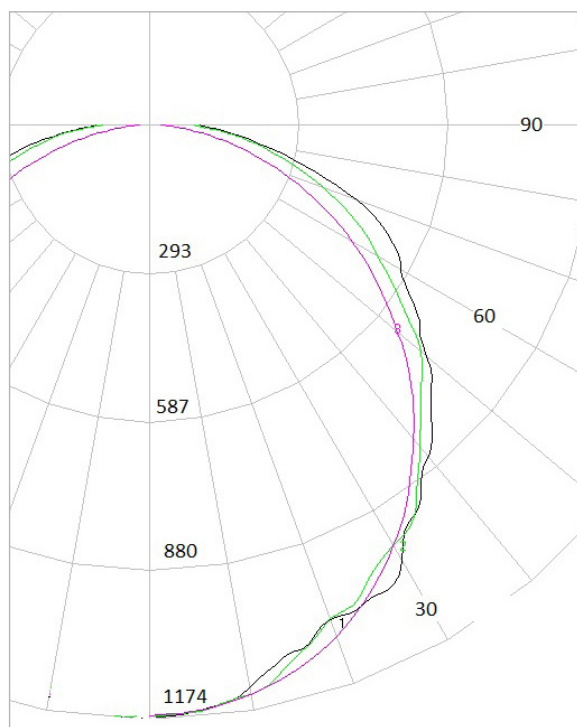
Model	Class	Classification
Nexus LX/RF ceiling mount	C0	D80
	C90	D63
Nexus LX/RF wall mount 45°	C0	D100
	C90	D80

Note: Preliminary results

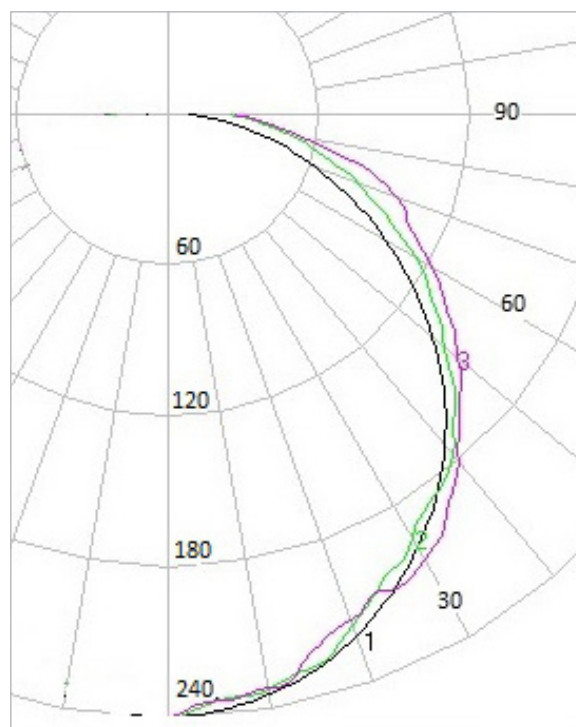
Note:

- AC designed to comply with AS/NZS60598.2.1 and meet relevant Australian EMC standards
- EM designed to comply with AS2293.3 and meet relevant Australian EMC standards

AC polar diagram



EM polar diagram



Note on AC/EM polar diagrams:

- Legend C0:1 black, C45.2 green, C90.3 cyan
- Two plane symmetry C0:C90