



MITSUBISHI HEAVY INDUSTRIES



INVERTER SINGLE WALL MOUNTED

STILL COOL. STAY GREEN.

SRK



(1.0 - 2.0HP)



(2.5 - 3.0HP)

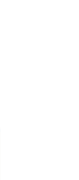



MITSUBISHI
HEAVY INDUSTRIES, LTD.
AIR CONDITIONERS
HEAVY DUTY

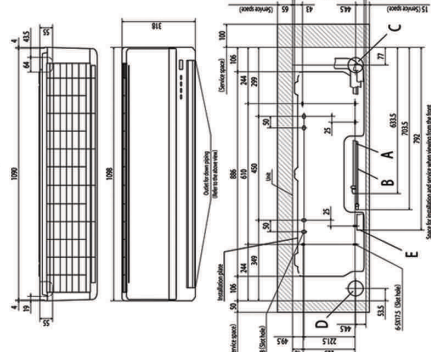
SPECIFICATIONS

Indoor name	SRK10YL-S	SRK13YL-S	SRK18YL-S	SRK63ZK-S	SRK71ZK-S
Outdoor name	SRC10YL-S	SRC13YL-S	SRC18YL-S	SRC63ZK-S	SRC71ZK-S
Power source	1 Phase 220V 60Hz				
Horsepower	1.0	1.5	2.0	2.5	3.0
Nominal cooling capacity (Min.-Max)	ISO-T1 (JIS)	3.5 (1.0-3.7)	5.0 (1.6-5.5)	6.3 (2.15-7.1)	7.1 (2.15-8.0)
	Cooling	0.67 (0.21-0.88)	0.98 (0.21-1.24)	1.56 (0.4-2.2)	1.76 (0.54-2.3)
Power consumption	BTU/hW	12.70	12.20	10.90	12.21
	EER	3.73	3.57	3.21	3.58
Running Current	Cooling	3.40	4.70	7.50	8.30
	Indoor	Hi: 39 Me:30 Lo:24	Hi: 44 Me:34 Lo:28	Hi:49 Me:37 Lo:28	Hi:47 Me:43 Lo:37
Sound level	Outdoor	48	51	55	46
	Indoor	Hi:8 Me:6.2 Lo:4.5	Hi:10 Me:7.6 Lo:4.7	Hi:12 Me:7.6 Lo:4.7	Hi:18.5 Me:16 Lo:13
Air flow	Outdoor	30	28	38	48.5
	Indoor	318 x 1098 x 248	15.0		
Indoor unit	Exterior dimensions	mm	8.5	9.5	15.0
	Net weight	kg			
Outdoor unit	Remote control	Wireless (Included)			
	Exterior dimensions	mm	540 x 780(+62) x 290	595 x 780(+62) x 290	750 x 880(+88) x 340
Range of usage	Net weight	kg	29	32	35
	Type of compressor	Rotary			
Operating Temperature Range	Ref. control	Capillary tubes + EEV			
	Ref. amount precharge	kg (m)	0.70 (15)	1.30 (15)	1.80 (15)
Ref. piping size	Liquid / Gas	mm (in.)	6.35/9.52 (1/4", 3/8")	6.35/12.7 (1/4", 1/2")	6.35/15.88 (1/4", 5/8")
	Ref. piping length	m	15	25	30
Vertical height difference (m)	< O/U	10	10	15	20
	> O/U	10	10	15	20
Operating Temperature Range	Cooling	O/U	-21 - 43	-15 - 46	-15 - 46

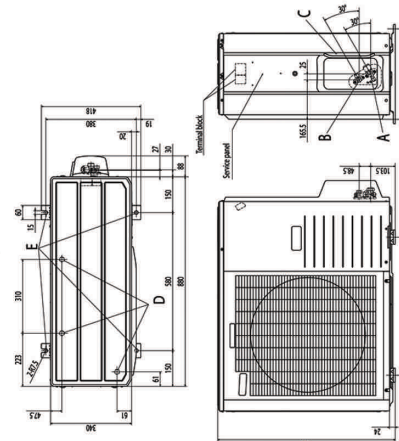
Functions



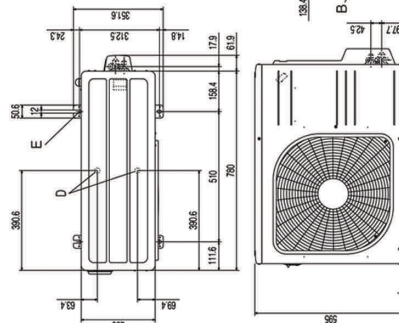
Models SRK63ZK-S, 71ZK-S



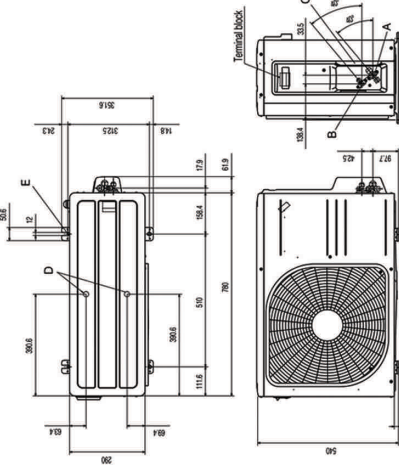
Models SRC63ZK-S, 71ZK-S



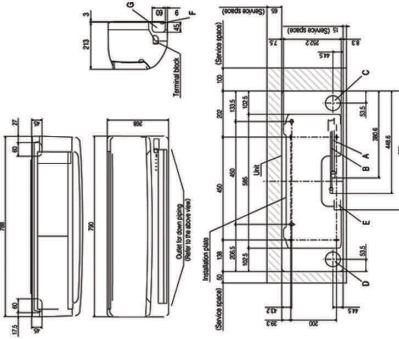
Models SRC18YL-S



Models SRC10YL-S, 13YL-S



Models SRK10YL-S, 13YL-S, 18YL-S



Authorized Dealers:

Exclusively Distributed by:



Manufactured by:



Our factories are ISO9001 and ISO14001 certified.



Certified ISO 9001

Certified ISO 14001

Because of our policy of continuous improvement, we reserve right to make specifications without notice.