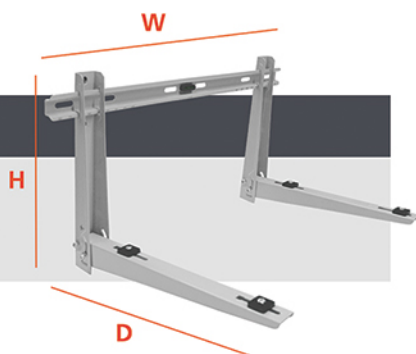




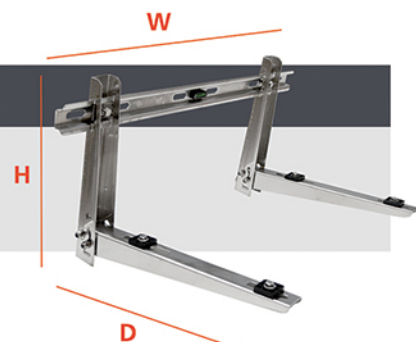
Wall Bracket Powder Coated

| PART NO. | MAX LOAD | DIMENSIONS (mm) |
|----------|-------------|--------------------|
| B6381 | 100kg/450mm | D450 x W800 x H350 |
| B6382 | 150kg/550mm | D550 x W850 x H450 |



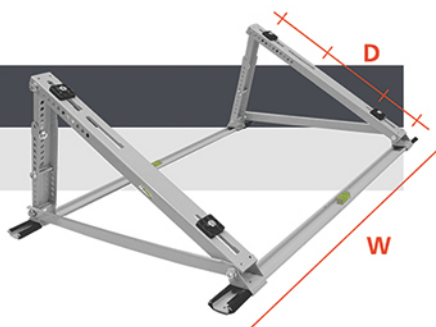
Wall Bracket 304 Stainless Steel

| PART NO. | MAX LOAD | DIMENSIONS (mm) |
|----------|-------------|--------------------|
| B6386 | 100kg/450mm | D450 x W800 x H350 |
| B6387 | 150kg/550mm | D550 x W850 x H450 |



Sloped Roof Bracket Powder Coated (0-45°)

| PART NO. | MAX LOAD | DIMENSIONS (mm) |
|----------|----------|------------------|
| B6388 | 150kg | W1000 x D220-500 |



Sloped Roof Bracket 304 Stainless Steel (0-45°)

| PART NO. | MAX LOAD | DIMENSIONS (mm) |
|----------|----------|------------------|
| B6389 | 150kg | W1000 x D220-500 |

