



Main

Product or component type	Braking resistor
---------------------------	------------------

Complementary

Range compatibility	Altivar Process ATV900 Altivar Machine ATV320 Altivar Machine ATV340
Product compatibility	Variable speed drive ATV930 wall mount 75 kW 380...480 V light cycle Variable speed drive ATV930 wall mount 90 kW 380...480 V light cycle Variable speed drive ATV930 wall mount 18.5 kW 200...240 V light cycle Variable speed drive ATV930 wall mount 22 kW 200...240 V light cycle Variable speed drive ATV950 wall mount 75 kW 380...480 V light cycle Variable speed drive ATV950 wall mount 90 kW 380...480 V light cycle Variable speed drive ATV930 wall mount 18.5 kW 200...240 V medium cycle Variable speed drive ATV930 wall mount 22 kW 200...240 V medium cycle Variable speed drive ATV340 55 kW 380...480 V light cycle Variable speed drive ATV340 75 kW 380...480 V light cycle Variable speed drive ATV320 15 kW 200...240 V Variable speed drive ATV930 75 kW 500...690 V light cycle Variable speed drive ATV930 90 kW 500...690 V light cycle Variable speed drive ATV930 100 hp 600 V light cycle
Duty cycle	Light cycle (heavy duty) : 0.8 s braking with 150 % braking torque for a 40 s cycle Light cycle (normal duty) : 0.8 s braking with 120 % braking torque for a 40 s cycle Medium cycle (normal duty) : 4 s braking with 135 % braking torque for a 40 s cycle Medium cycle (heavy duty) : 4 s braking with 165 % braking torque for a 40 s cycle
Average power available	1.9 kW at 50 °C
Ohmic value	5 Ohm
Electrical connection	Terminal, clamping capacity: <= 2.5 mm ² , AWG 12 for temperature control switch M10 bar wire for drive
Protection type	Thermal protection via drive or temperature control switch at 120 °C
[Ue] rated operational voltage	24 V DC 250 V AC
Width	540 mm
Height	485 mm
Depth	450 mm
Product weight	18 kg

Environment

ambient air temperature for operation	0...50 °C
ambient air temperature for storage	-25...70 °C
IP degree of protection	IP23

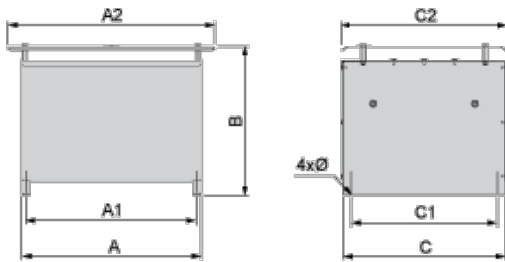
Offer Sustainability

Sustainable offer status	Not Green Premium product
RoHS (date code: YYWW)	Compliant - since 1533 - Schneider Electric declaration of conformity

The information provided in this documentation contains general descriptions and/or technical characteristics of the products contained herein. This documentation is not intended as a substitute for and is not to be used for determining suitability or reliability of these products for specific user applications. It is the duty of any such user or integrator to perform the appropriate and complete risk analysis, evaluation and testing of the products with respect to the relevant specific application or use thereof. Neither Schneider Electric Industries SAS nor any of its affiliates or subsidiaries shall be responsible or liable for misuse of the information contained herein.

Dimensions

Right Side and Front View



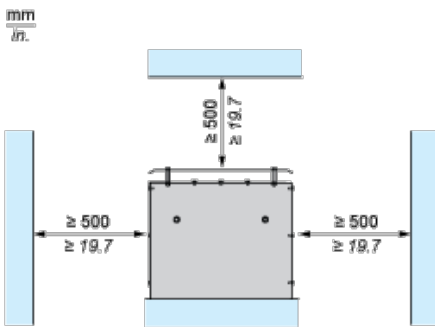
Dimensions in mm

A	B	C	A1	C1	A2	C2	Ø
330	485	485	310	380	450	540	9 x 12

Dimensions in in.

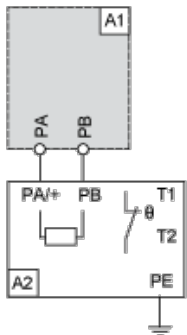
A	B	C	A1	C1	A2	C2	Ø
12.99	19.09	19.09	12.20	14.96	17.71	21.26	0.35 x 0.47

Clearances



Recommended Schema

1 Braking Resistor



A1 : Drive or external braking unit

A2 : Braking resistor

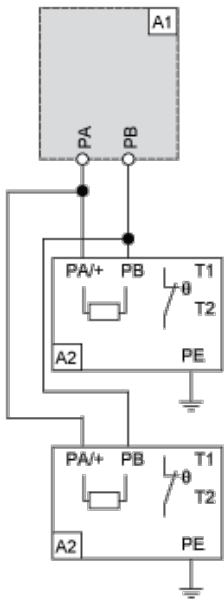
PA, Bus DC

PB :

T1, Temperature control switch

T2 :

2 Braking Resistors



A1 : Drive or external braking unit

A2 : Braking resistor

PA, Bus DC

PB :

T1, Temperature control switch

T2 :