

NHA8738805

Altivar - Lexium

Braking resistors
VW3A7730...757

	Ω	kW 50°C (122°F)		Ω	kW 50°C (122°F)		Ω	kW 50°C (122°F)
VW3A7730	100	0.1	VW3A7740	100	0.26	VW3A7750	100	1.4
VW3A7731	60	0.16	VW3A7741	60	0.5	VW3A7751	60	2.9
VW3A7732	28	0.3	VW3A7742	28	0.96	VW3A7752	28	5.1
VW3A7733	16	0.96	VW3A7743	16	1.9	VW3A7753	16	14
VW3A7734	10	0.96	VW3A7744	10	2.9	VW3A7754	10	19
VW3A7735	8	0.96	VW3A7745	8	3.8	VW3A7755	8	25
VW3A7736	5	1.9	VW3A7746	5	6.9	VW3A7756	5	32
VW3A7737	2.5	3.2	VW3A7747	2.5	11	VW3A7757	1.4	29
VW3A7738	1.4	1.5	VW3A7748	1.4	5.1	-	-	-

⚠ ⚠ DANGER**HAZARD OF ELECTRIC SHOCK, EXPLOSION, OR ARC FLASH**

- Only appropriately trained persons who are familiar with and fully understand the contents of the present manual and all other pertinent product documentation and who have received all necessary training to recognize and avoid hazards involved are authorized to work on and with this equipment.
- Installation, adjustment, repair, and maintenance must be performed by qualified personnel.
- Verify compliance with all local and national electrical code requirements as well as all other applicable regulations with respect to grounding of all equipment.
- Before performing work and/or applying voltage on the equipment, follow the instructions given in the appropriate installation manual.

Failure to follow these instructions will result in death or serious injury.

Electrical equipment should be installed, operated, serviced, and maintained only by qualified personnel.
No responsibility is assumed by Schneider Electric for any consequences arising out of the use of this product.
© 2024 Schneider Electric. All Rights Reserved.



MANUFACTURER
Schneider Electric Industries SAS
35 rue Joseph Monier
Rueil Malmaison 92500 France

UK REPRESENTATIVE
Schneider Electric Limited
Stafford Park 5
Telford, TF3 3BL United Kingdom



Опция для продуктов Altivar и Altistart.
Пожалуйста, обратитесь к сообщению о преобразователе частоты EAC / программном сартере в приложении к началу работы, размещенном на веб-сайте производителя. Авторизованный поставщик в Республике Казахстан:
ТОО «Шнейдер Электрик»
Адрес: 050010, РК, г. Алматы, пр. Достык, 38, бизнес-центр «Кен Дала», 5 этаж, левое крыло.
Тел.: +7 (727) 339 23 57
Номер службы поддержки клиентов:
Тел.: +7 (727) 339 24 52

Altivar және Altistart өніміне арналған опция.
Өндірушінің веб-сайтында орналастырылған «Жұмысқа кірісу» қосымшасындағы EAC жиілік инвертер / бірқалыпты іске қосу құрылғысы хабарламасына сілтеме жасауыңызды сұраймыз.
Қазақстан Республикасындағы уәкілетті жеткізуші:
ЖШС «Шнейдер Электрик»
Мекен-жайы: 050010, ҚР, Алматы қаласы, Достық даңғылы, 38, «Кең дала» бизнес орталығы, 5-қабат, сол қанат.
Тел.: +7 (727) 339 23 57
Клиенттерге қызмет көрсету нөмірі:
тел.: +7 (727) 339 24 52

DANGER

HAZARD OF FIRE

Some braking resistors are equipped with a thermal switch to detect overheating of the resistor. This thermal switch must be used upstream to the drive to switch off the mains contactor in case of overheating detection.

Failure to follow these instructions will result in death or serious injury.

DANGER

HAZARD OF FIRE

Before installing the product, verify that all cardboard and other packaging material has been completely removed from the product.

Failure to follow these instructions will result in death or serious injury.



The metal surfaces of the product may reach 150°C (302°F) during operation.

WARNING

HOT SURFACES

- Ensure that any contact with hot surfaces is avoided.
- Do not allow flammable or heat-sensitive parts in the immediate vicinity of hot surfaces.
- Verify that the heat dissipation is sufficient by performing a test run under maximum load conditions.

Failure to follow these instructions can result in death, serious injury, or equipment damage.



brP-



www.se.com



CAUTION

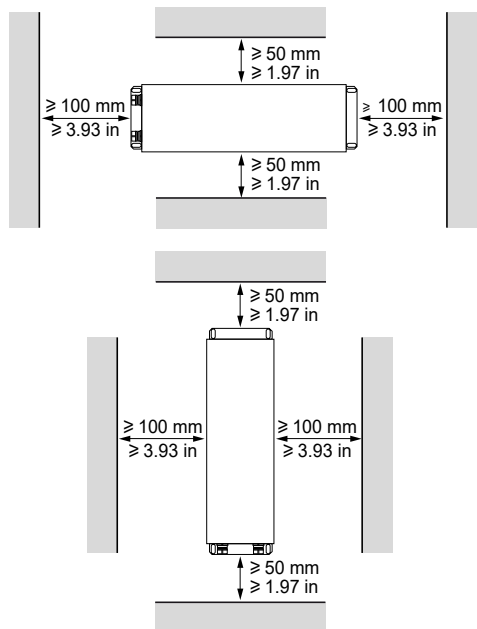
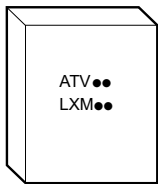
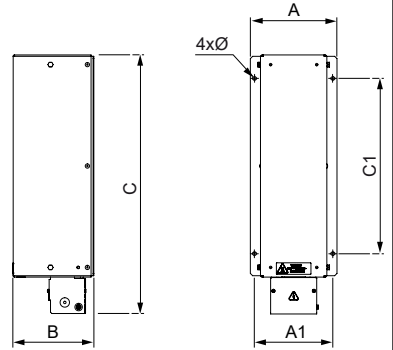
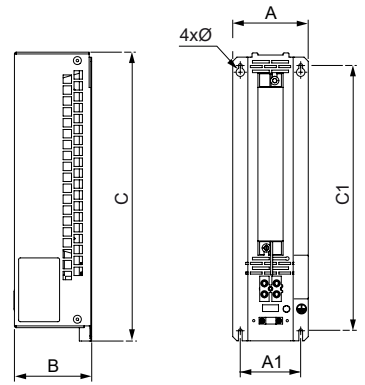
SHARP EDGES

- Use all necessary personal protective equipment (PPE) such as gloves when performing any type of work whatsoever on or with the braking resistor.
- Ensure that no other persons can perform any type of work whatsoever on or with the braking resistor unless such persons use all necessary personal protective equipment (PPE) such as gloves.
- The cut resistance of the gloves must be at least level C as per ISO 23388 or level A2 as per ANSI/ISEA 105.

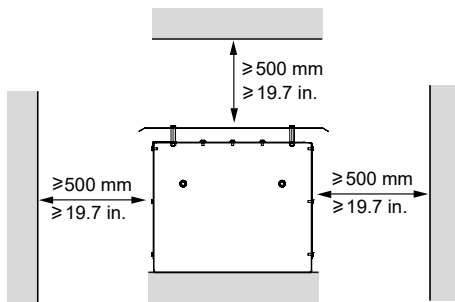
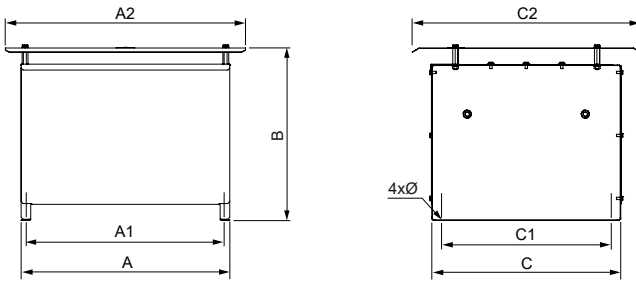
Failure to follow these instructions can result in injury or equipment damage

	A	B	C	A1	C1	Ø
	mm (in.)	mm (in.)	mm (in.)	mm (in.)	mm (in.)	mm (in.)
VW3A7730	105 (4.13)	100 (3.94)	295 (11.61)	72 (2.83)	266 (10.47)	4.5 (0.18)
VW3A7731	105 (4.13)	100 (3.94)	345 (13.58)	72 (2.83)	316 (12.44)	4.5 (0.18)
VW3A7732	175 (6.89)	100 (3.94)	345 (13.58)	142 (5.59)	316 (12.44)	4.5 (0.18)
VW3A7740	105 (4.13)	100 (3.94)	465 (18.31)	72 (2.83)	436 (17.16)	4.5 (0.18)
VW3A7741	175 (6.89)	100 (3.94)	465 (18.31)	142 (5.59)	436 (17.16)	4.5 (0.18)

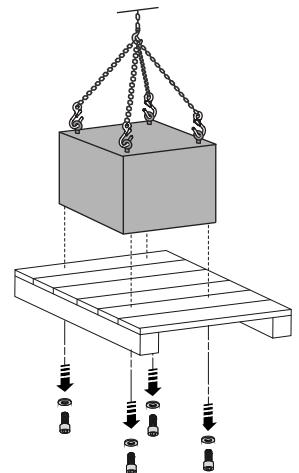
	A	B	C	A1	C1	Ø
	mm (in.)	mm (in.)	mm (in.)	mm (in.)	mm (in.)	mm (in.)
VW3A7733	190 (7.48)	180 (7.09)	570 (22.44)	170 (6.69)	380 (14.96)	6.6 x 9 (0.26 x 0.35)
VW3A7734	190 (7.48)	180 (7.09)	640 (25.20)	170 (6.69)	380 (14.96)	6.6 x 9 (0.26 x 0.35)
VW3A7735	190 (7.48)	180 (7.09)	640 (25.20)	170 (6.69)	380 (14.96)	6.6 x 9 (0.26 x 0.35)
VW3A7742	190 (7.48)	180 (7.09)	570 (22.44)	170 (6.69)	380 (14.96)	6.6 x 9 (0.26 x 0.35)
VW3A7743	290 (11.42)	180 (7.09)	570 (22.44)	270 (10.63)	380 (14.96)	6.6 x 9 (0.26 x 0.35)
VW3A7744	390 (15.35)	180 (7.09)	640 (25.20)	370 (14.57)	380 (14.96)	6.6 x 9 (0.26 x 0.35)
VW3A7750	290 (11.42)	180 (7.09)	570 (22.44)	270 (10.63)	380 (14.96)	6.6 x 9 (0.26 x 0.35)
VW3A7751	390 (15.35)	180 (7.09)	570 (22.44)	370 (14.57)	380 (14.96)	6.6 x 9 (0.26 x 0.35)



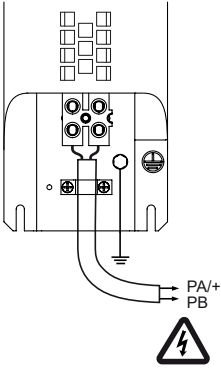
	A	B	C	A1	C1	A2	C2	Ø	
	mm (in.)	mm (in.)	mm (in.)	mm (in.)	mm (in.)	mm (in.)	mm (in.)	mm (in.)	kg (lb)
VW3A7736	330 (12.99)	485 (19.09)	485 (19.09)	310 (12.20)	380 (14.96)	450 (17.71)	540 (21.26)	9 x 12 (0.35 x 0.47)	18 (39.68)
VW3A7737	330 (12.99)	485 (19.09)	485 (19.09)	310 (12.20)	380 (14.96)	450 (17.71)	540 (21.26)	9 x 12 (0.35 x 0.47)	21 (46.30)
VW3A7738	330 (12.99)	445 (17.52)	485 (19.09)	310 (12.20)	380 (14.96)	450 (17.71)	540 (21.26)	9 x 12 (0.35 x 0.47)	17 (37.48)
VW3A7745	530 (20.87)	485 (19.09)	485 (19.09)	510 (20.08)	380 (14.96)	650 (25.59)	540 (21.26)	9 x 12 (0.35 x 0.47)	25.5 (56.22)
VW3A7746	530 (20.87)	485 (19.09)	485 (19.09)	510 (20.08)	380 (14.96)	650 (25.59)	540 (21.26)	9 x 12 (0.35 x 0.47)	30.5 (67.24)
VW3A7747	940 (37.00)	485 (19.09)	485 (19.09)	920 (36.22)	380 (14.96)	1060 (41.73)	540 (21.26)	9 x 12 (0.35 x 0.47)	48.5 (106.92)
VW3A7748	530 (20.87)	485 (19.09)	485 (19.09)	510 (20.08)	380 (14.96)	650 (25.59)	540 (21.26)	9 x 12 (0.35 x 0.47)	29 (63.93)
VW3A7752	530 (20.87)	485 (19.09)	485 (19.09)	510 (20.08)	380 (14.96)	650 (25.59)	540 (21.26)	9 x 12 (0.35 x 0.47)	27 (59.52)
VW3A7753	940 (37.00)	605 (23.82)	485 (19.09)	920 (36.22)	380 (14.96)	1060 (41.73)	540 (21.26)	9 x 12 (0.35 x 0.47)	48.5 (106.92)
VW3A7754	740 (29.13)	1035 (40.75)	485 (19.09)	720 (28.35)	380 (14.96)	860 (33.86)	540 (21.26)	9 x 12 (0.35 x 0.47)	71 (156.53)
VW3A7755	940 (37.00)	1035 (40.75)	485 (19.09)	920 (36.22)	380 (14.96)	1060 (41.73)	540 (21.26)	9 x 12 (0.35 x 0.47)	87.5 (192.90)
VW3A7756	940 (37.00)	1285 (50.59)	485 (19.09)	920 (36.22)	380 (14.96)	1060 (41.73)	540 (21.26)	9 x 12 (0.35 x 0.47)	126 (277.78)
VW3A7757	940 (37.00)	1285 (50.59)	485 (19.09)	920 (36.22)	380 (14.96)	1060 (41.73)	540 (21.26)	9 x 12 (0.35 x 0.47)	121 (266.76)



VW3A77●● ≥ 31 kg
68.34 lb

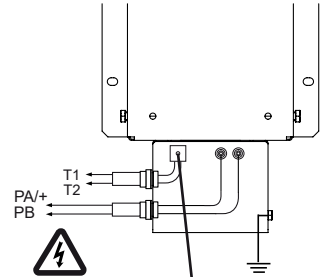


VW3A7730...732
VW3A7740, 741

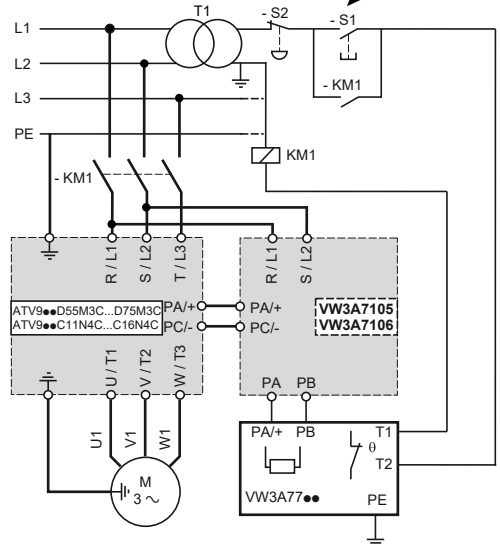
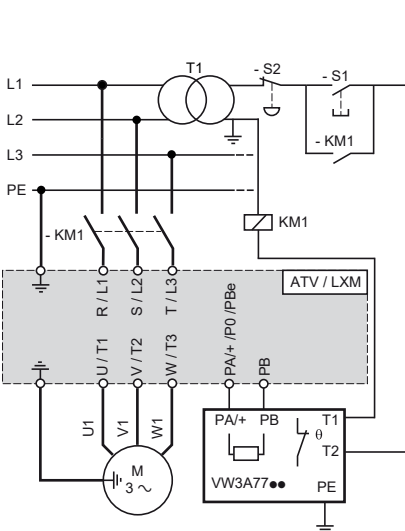
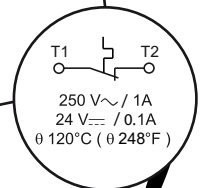
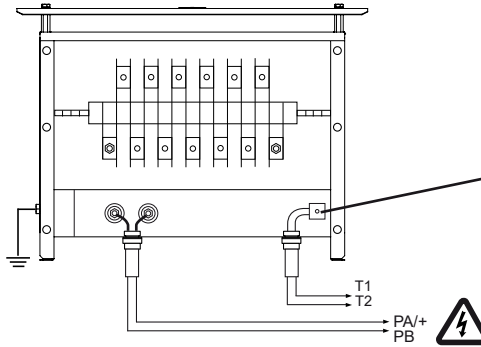


	Max.			
	PA+ PB		T1 T2	
	mm ² (AWG)	N.m (lbf.in)	mm ² (AWG)	N.m (lbf.in)
VW3A7730...732, VW3A7740, 741	10 (8)	1.35 (11.9)	-	-
VW3A7733, VW3A7742, 743, VW3A7750, 751	10 (8)	1.35 (11.9)	2.5 (12)	0.57 (5.0)
VW3A7734, 735, VW3A7744	35 (3)	4 (35.4)	4 (10)	0.5 (4.4)
VW3A7752...753	M6	5.7 (50.4)	2.5 (12)	0.51 (4.5)
VW3A7745	M8	8 (70.8)	2.5 (12)	0.51 (4.5)
VW3A7736, VW3A7746	M10	11 (97.3)	2.5 (12)	0.51 (4.5)
VW3A7737, 738, VW3A7747, 748, VW3A7754...757	M12	15.5 (137.1)	2.5 (12)	0.51 (4.5)

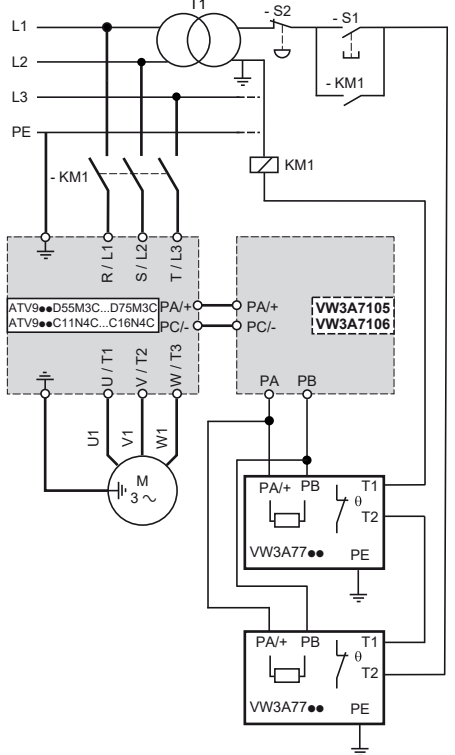
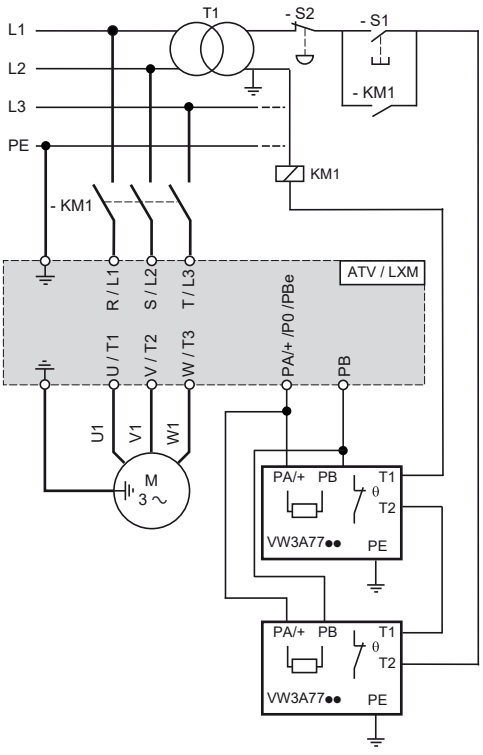
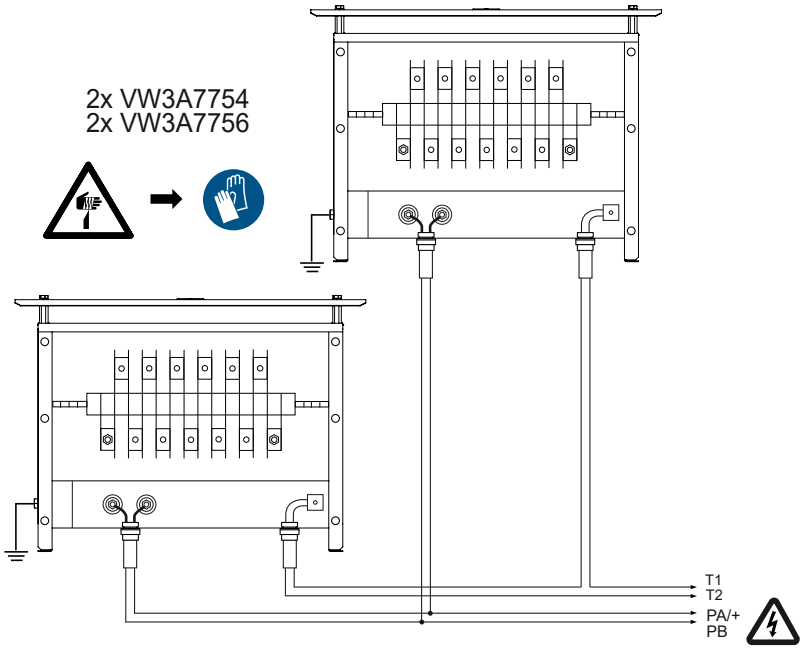
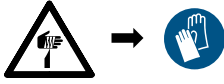
VW3A7733...735
VW3A7742...744
VW3A7750...751



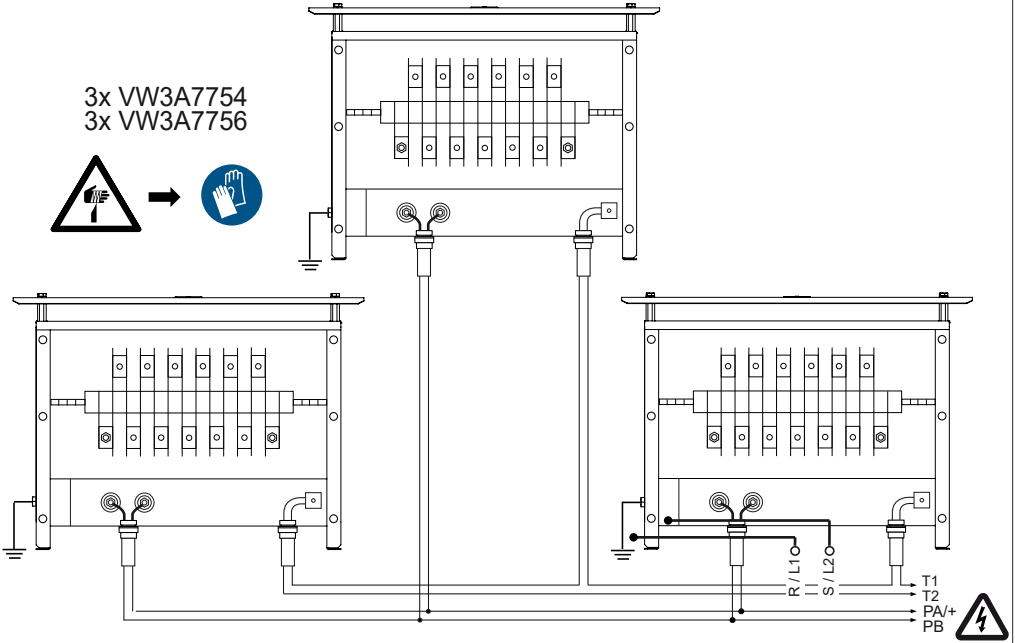
VW3A7736...738
VW3A7745...748
VW3A7752...757



2x VW3A7754
2x VW3A7756



3x VW3A7754
3x VW3A7756



3x VW3A7754
3x VW3A7756

