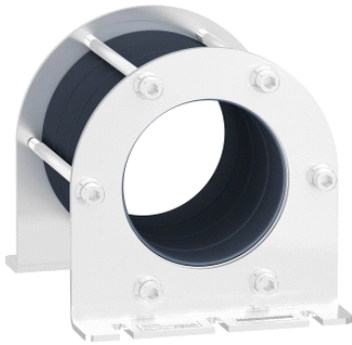


# VW3A5503

common mode filter for bearing current reduction -  
120  $\mu$ H



## Main

Product or component type	Common mode output filter
Range compatibility	Altivar Process ATV600 Altivar Process ATV900
Value of inductance	120 $\mu$ H
Product compatibility	Variable speed drive ATV630 wall mount, motor: 15...90 kW, 380...480 V Variable speed drive ATV650 wall mount, motor: 15...90 kW, 380...480 V Variable speed drive ATV930 wall mount, motor: 15...90 kW, 380...480 V Variable speed drive ATV950 wall mount, motor: 15...90 kW, 380...480 V Variable speed drive ATV630 wall mount, motor: 7.5...45 kW, 200...240 V Variable speed drive ATV930 wall mount, motor: 7.5...45 kW, 200...240 V

## Complementary

Motor cable length	<p>&lt;= 150 m (unshielded cable) motor: 15...90 kW 380...480 V, with 1 filter                  &lt;= 150 m (shielded cable) motor: 15...22 kW 380...480 V, with 1 filter                  &lt;= 300 m (shielded cable) motor: 15...22 kW 380...480 V, with 2 filter                  &lt;= 300 m (shielded cable) motor: 30...90 kW 380...480 V, with 1 filter + VW3A5504                  &lt;= 500 m (unshielded cable) motor: 15...22 kW 380...480 V, with 2 filter                  &lt;= 500 m (unshielded cable) motor: 30...90 kW 380...480 V, with 1 filter + VW3A5504                  &lt;= 500 m (shielded cable) motor: 15...22 kW 380...480 V, with 1 filter + VW3A5504                  &lt;= 1000 m (unshielded cable) motor: 15...22 kW 380...480 V, with 1 filter + VW3A5504                  &lt;= 150 m (unshielded cable) motor: 7.5...45 kW 200...240 V, with 1 filter                  &lt;= 150 m (shielded cable) motor: 7.5...11 kW 200...240 V, with 1 filter                  &lt;= 300 m (shielded cable) motor: 7.5...11 kW 200...240 V, with 2 filter                  &lt;= 300 m (shielded cable) motor: 15...45 kW 200...240 V, with 1 filter + VW3A5504                  &lt;= 500 m (unshielded cable) motor: 7.5...11 kW 200...240 V, with 2 filter                  &lt;= 500 m (unshielded cable) motor: 15...45 kW 200...240 V, with 1 filter + VW3A5504                  &lt;= 500 m (shielded cable) motor: 7.5...11 kW 200...240 V, with 1 filter + VW3A5504                  &lt;= 1000 m (unshielded cable) motor: 7.5...11 kW 200...240 V, with 1 filter + VW3A5504</p>
Saturation current	2.2 A
Diameter	76 mm for 3-phase cable inside 76 mm for PE cable outside
Electrical insulation class	Class I
Mechanical robustness	Shocks conforming to IEC 60721-3-3 class 3M4 Vibrations conforming to IEC 60721-3-3 class 3M4
Switching frequency	<= 10 kHz
Output frequency	<= 100 Hz
Height	161 mm
Width	127.5 mm
Depth	127.5 mm
Product weight	2.19 kg

## Environment

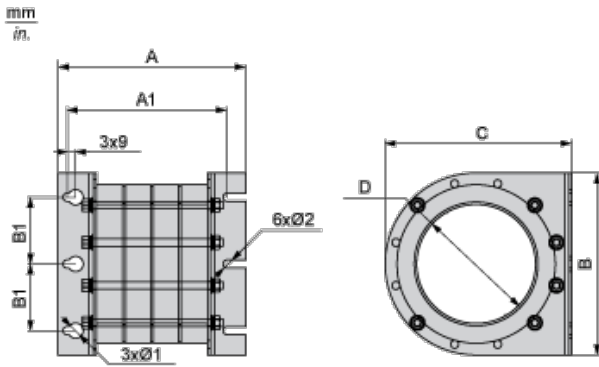
relative humidity	5...95 % without condensation
ambient air temperature for operation	-15...60 °C
ambient air temperature for storage	-40...70 °C

## Offer Sustainability

Sustainable offer status	Not Green Premium product
--------------------------	---------------------------

The information provided in this documentation contains general descriptions and/or technical characteristics of the products contained herein. This documentation is not intended as a substitute for and is not to be used for determining suitability or reliability of these products for specific user applications. It is the duty of any such user or integrator to perform the appropriate and complete risk analysis, evaluation and testing of the products with respect to the relevant specific application or use thereof. Neither Schneider Electric Industries SAS nor any of its affiliates or subsidiaries shall be responsible or liable for misuse of the information contained herein.

### Dimensions



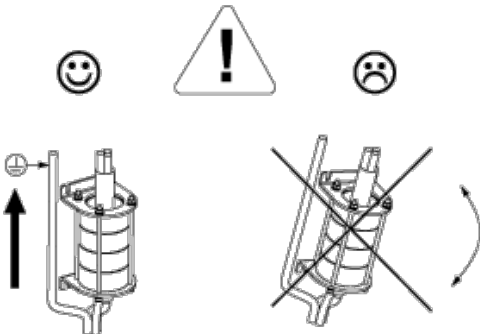
Dimensions in mm

A	A1	B1	Ø1	Ø2	B	C	D
160	137	45	13	6.5	127.5	127.5	75

Dimensions in in.

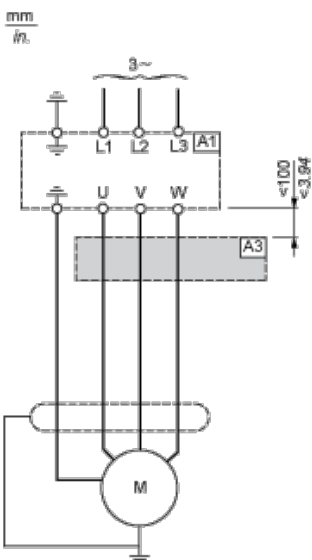
A	A1	B1	Ø1	Ø2	B	C	D
6.3	5.1	1.8	0.5	0.26	5.0	5.0	3.0

### Mounting Recommendations



### Recommended Schema

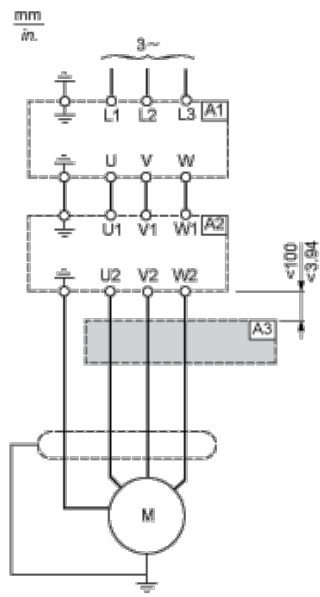
Connection at the Output Terminals of the Drive



A1 : Drive

A3 : Common mode filter

**Connection at the Output Terminals of the dv/dt Filter or Sinus Filter**



A1 : Drive

A2 : dv/dt or sinus filter

A3 : Common mode filter