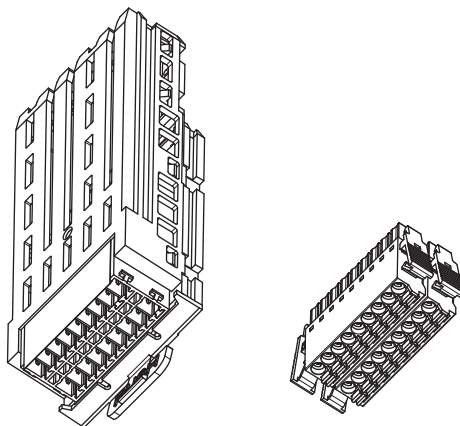




EAV7640402

Extension module of Digital and Analog I/O

VW3A3203



⚠ ⚠ DANGER

HAZARD OF ELECTRIC SHOCK, EXPLOSION, OR ARC FLASH

- Only appropriately trained persons who are familiar with and fully understand the contents of the present manual and all other pertinent product documentation and who have received all necessary training to recognize and avoid hazards involved are authorized to work on and with this equipment.
- Installation, adjustment, repair, and maintenance must be performed by qualified personnel.
- Verify compliance with all local and national electrical code requirements as well as all other applicable regulations with respect to grounding of all equipment.
- Before performing work and/or applying voltage on the equipment, follow the instructions given in the appropriate installation manual.

Failure to follow these instructions will result in death or serious injury.

Electrical equipment should be installed, operated, serviced, and maintained only by qualified personnel. No responsibility is assumed by Schneider Electric for any consequences arising out of the use of this product. © 2024 Schneider Electric. All Rights Reserved.



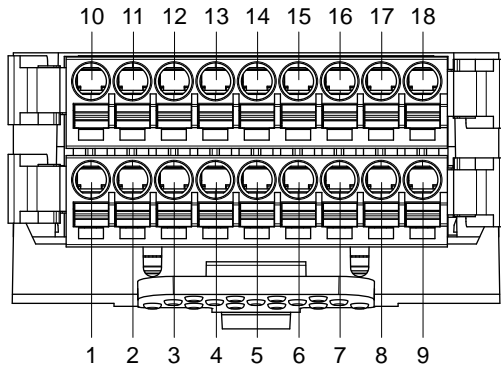
MANUFACTURER
Schneider Electric Industries SAS
35 rue Joseph Monier
Rueil Malmaison 92500 France

UK REPRESENTATIVE
Schneider Electric Limited
Stafford Park 5
Telford, TF3 3BL United Kingdom



Опция для продуктов Altivar и Altistart.
Пожалуйста, обратитесь к сообщению о преобразователе частоты EAC / программном сартере в приложении к началу работы, размещенном на веб-сайте производителя. Авторизованный поставщик в Республике Казахстан:
ТОО «Шнейдер Электрик»
Адрес: 050010, РК, г. Алматы, пр. Достык, 38, бизнес-центр «Кен Дала», 5 этаж, левое крыло.
Тел.: +7 (727) 339 23 57
Номер службы поддержки клиентов:
Тел.: +7 (727) 339 24 52

Altivar және Altistart өміміне арналған опция. Өндірушінің веб-сайтында орналастырылған «Жұмысқа кірісу» қосымшасындағы EAC жиілік инвертер / бірқалыпты іске қосу құрылғысы хабарламасына сілтеме жасауыңызды сұраймыз.
Қазақстан Республикасындағы уәкілетті жеткізуші:
ЖШС «Шнейдер Электрик»
Мекен-жайы: 050010, ҚР, Алматы қаласы, Достық даңғылы, 38, «Кен дала» бизнес орталығы, 5-қабат, сол қанат.
тел.: +7 (727) 339 23 57
Клиенттерге қызмет көрсету нөмірі:
тел.: +7 (727) 339 24 52



Minimum wire size: 0.2 mm² (AWG 24)
 Maximum wire size: 1.0 mm² (AWG 16)

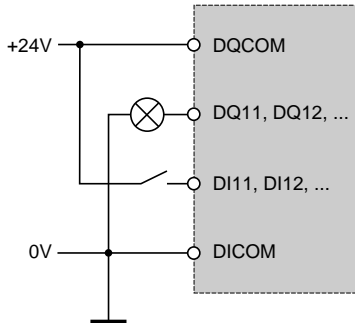
Stripping length: 10 mm

Note: Only one VW3A3203 can be installed for one drive

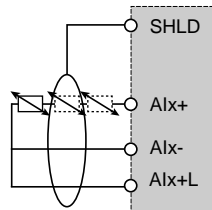
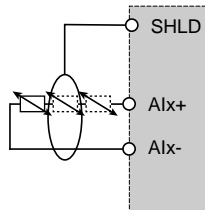
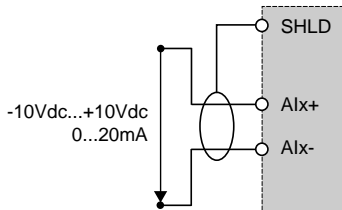
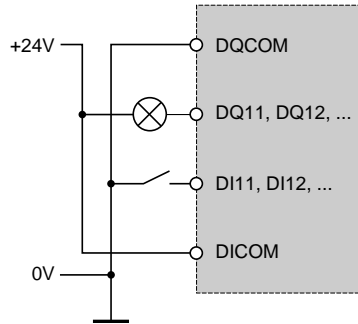
PIN SIGNAL FUNCTION			ELECTRIC CHARACTERISTICS
1	SHLD	Shield connection AI4	<p>Software-configurable Voltage, current, PT100,PT1000, KTY84, PTC measurement:</p> <p>Voltage differential input circuit:</p> <ul style="list-style-type: none"> • Range: -10Vdc...+10Vdc • Impedance: 20kΩ • Resolution: 11bit + sign bit • Accuracy: ± 0.6% for a temperature variation of 60°C • Linearity: ± 0.15% of maximum value <p>Current measurement:</p> <ul style="list-style-type: none"> • Range: X-Y mA by programming X and Y from 0 to 20 mA • Impedance: 250 Ω • Resolution: 10bit • Accuracy: ± 0.6% for a temperature variation of 60°C • Linearity: ± 0.15% of maximum value • Sampling period: 1ms <p>PTx measurement: Type of PTx and mode selected via parameter PT100, PT1000, PTC, KTY84</p> <p>• PT100:</p> <ul style="list-style-type: none"> - 1 or 3 thermal sensors mounted in series (configurable by software) - Thermal sensor current: 7,5 mA maximum - Range: -20...200°C - Accuracy: +3°C final for a temperature variation of 60°C <p>• PT1000, KTY84:</p> <ul style="list-style-type: none"> - 1 or 3 thermal sensors mounted in series (configurable by software) - Thermal sensor current: 1mA maximum - Range: -20...200°C - Accuracy: +3°C final for a temperature variation of 60°C <p>• PTC:</p> <ul style="list-style-type: none"> - 3 or 6 thermal sensors mounted in series (configurable by software) - Thermal sensor current: 1mA maximum - Nominal value: <1.5 kΩ - Overheat trigger threshold: 3 kΩ - Overheat reset threshold: 1.8 kΩ - protected for low impedance: <50 Ω - detection of high impedance: >100kΩ
2	AI4+	Differential Analog Input 4 Depending on SW configuration Differential Voltage measurement PTx measurement 0...20mA measurement	
3	AI4-	AI4- reference potential for AI4+ AI4+ must be connected to Drive COM	
4	AI4+L	3 wire PTx compensation connection	
5	SHLD	Shield connection AI5	
6	AI5+	Differential Analog Input 5 Depending on SW configuration Differential Voltage measurement PTx measurement 0...20mA measurement	
7	AI5-	AI5- reference potential for AI5+ AI5- must be connected to Drive COM	
8	AI5+L	3 wire PTx compensation connection	

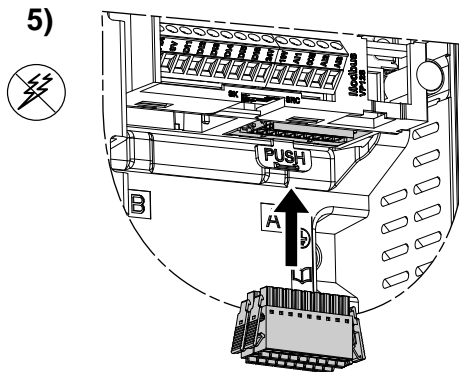
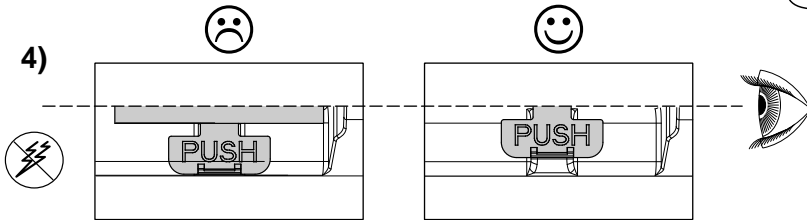
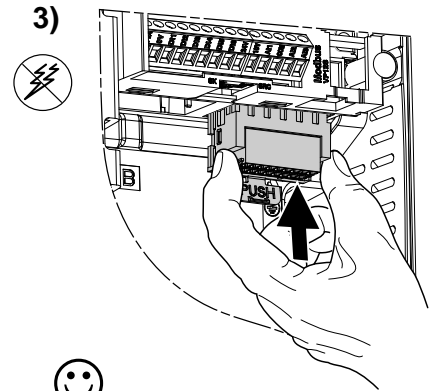
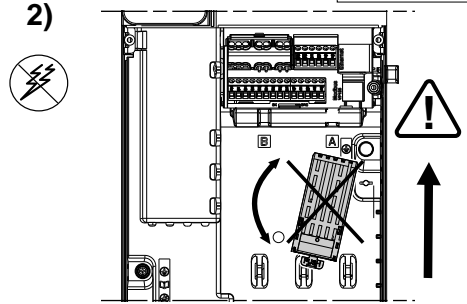
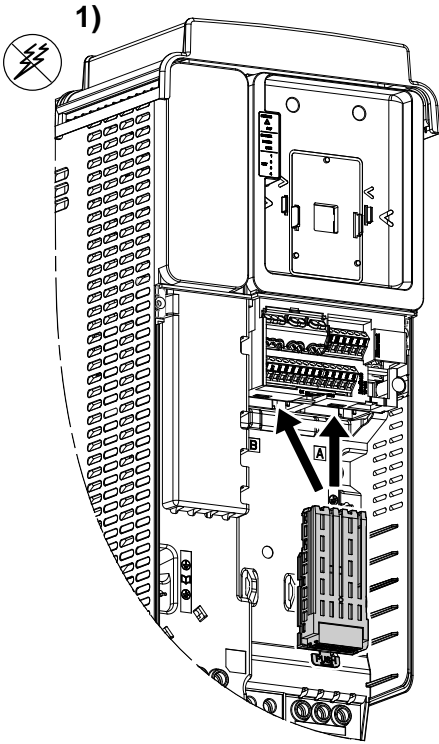
PIN SIGNAL		FUNCTION	ELECTRIC CHARACTERISTICS
9	DQ12	Digital Output 12 (Open collector output)	The levels of the digital 24 Vdc output signals DQ, comply with IEC/EN61131-2 standard <ul style="list-style-type: none"> • Logic Type selected via DQCOM wiring • Output voltage: $\leq 30\text{Vdc}$ • Switching current: $\leq 100\text{mA}$ • Voltage drop at 100mA load: $\leq 3\text{Vdc}$ • Sampling period: 1ms
10	DICOM	Digital input common Reference potential for the digital inputs	The levels of the digital 24 Vdc input signals DI, comply with IEC/EN61131-2 standard <ul style="list-style-type: none"> • Logic Type selected via DICOM wiring • Positive logic (Source) : State 0 if $\leq 5\text{Vdc}$, state 1 if $\geq 11\text{Vdc}$ • Negative logic (Sink) : State 0 if $\geq 16\text{Vdc}$, state 1 if $\leq 10\text{Vdc}$ • Maximum voltage: 30Vdc • Input current (typical): 2.5mA • Sampling period: 1ms
11	DI11	Digital input 11	
12	DI12	Digital input 12	
13	DI13	Digital input 13	
14	DI14	Digital input 14	
15	DI15	Digital input 15	
16	DI16	Digital input 16	
17	DQCOM	Digital output common Reference potential for the digital outputs	The levels of the digital 24 Vdc output signals DQ, comply with IEC/EN61131-2 standard <ul style="list-style-type: none"> • Logic Type selected via DQCOM wiring • Output voltage: $\leq 30\text{Vdc}$ • Switching current: $\leq 100\text{mA}$ • Voltage drop at 100mA load: $\leq 3\text{Vdc}$ • Sampling period: 1ms
18	DQ11	Digital Output 11 (Open collector output)	

Logic Type: Source



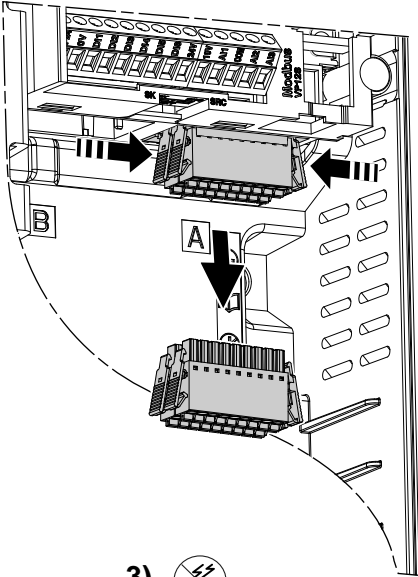
Logic Type: Sink




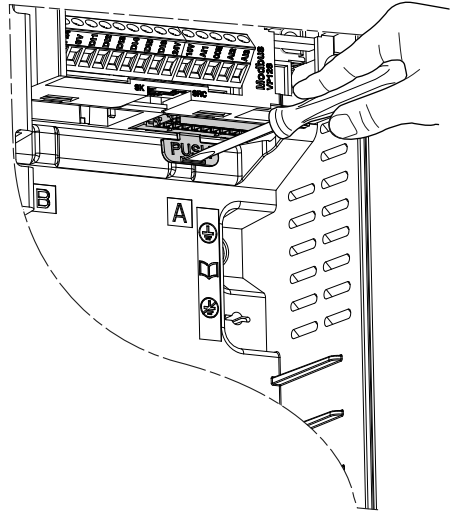


ATV900 ATV340 Removing

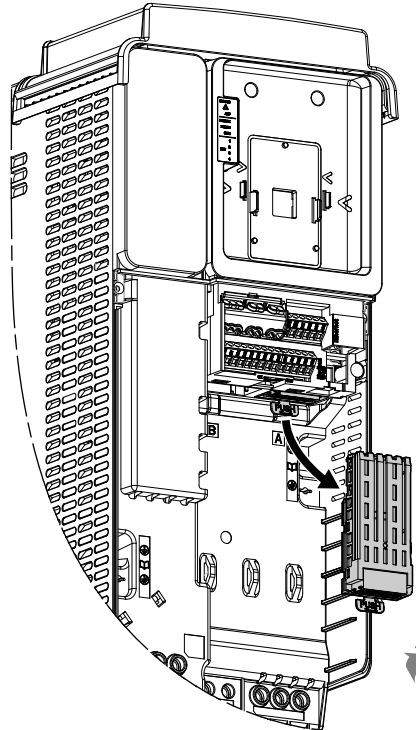
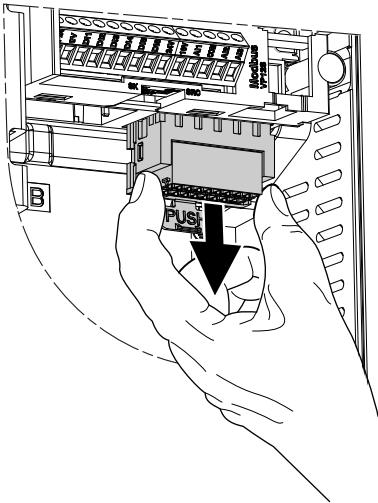
1) 



2) 



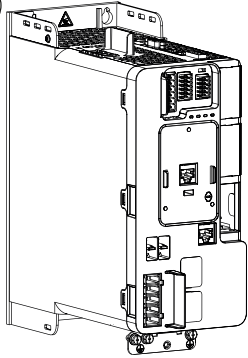
3) 



ATV340

Mounting

1 

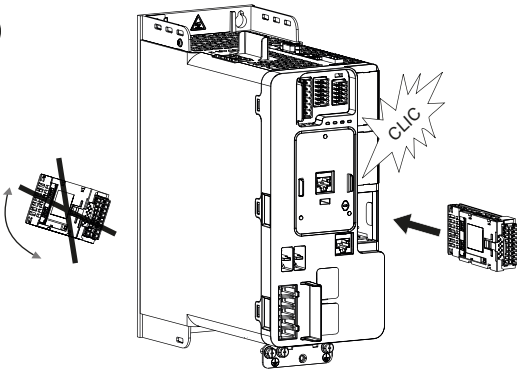


GP-SF 

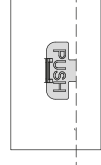
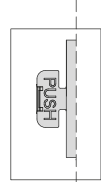
GP-ENC 

GP-FB 

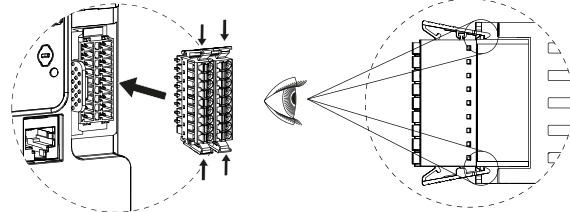
2 



3 

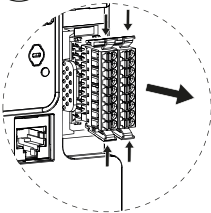


4 

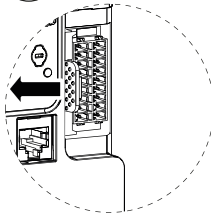


Removing

1 



2 



3 

